

DINLY HELIX

100

SPARE

PARTS



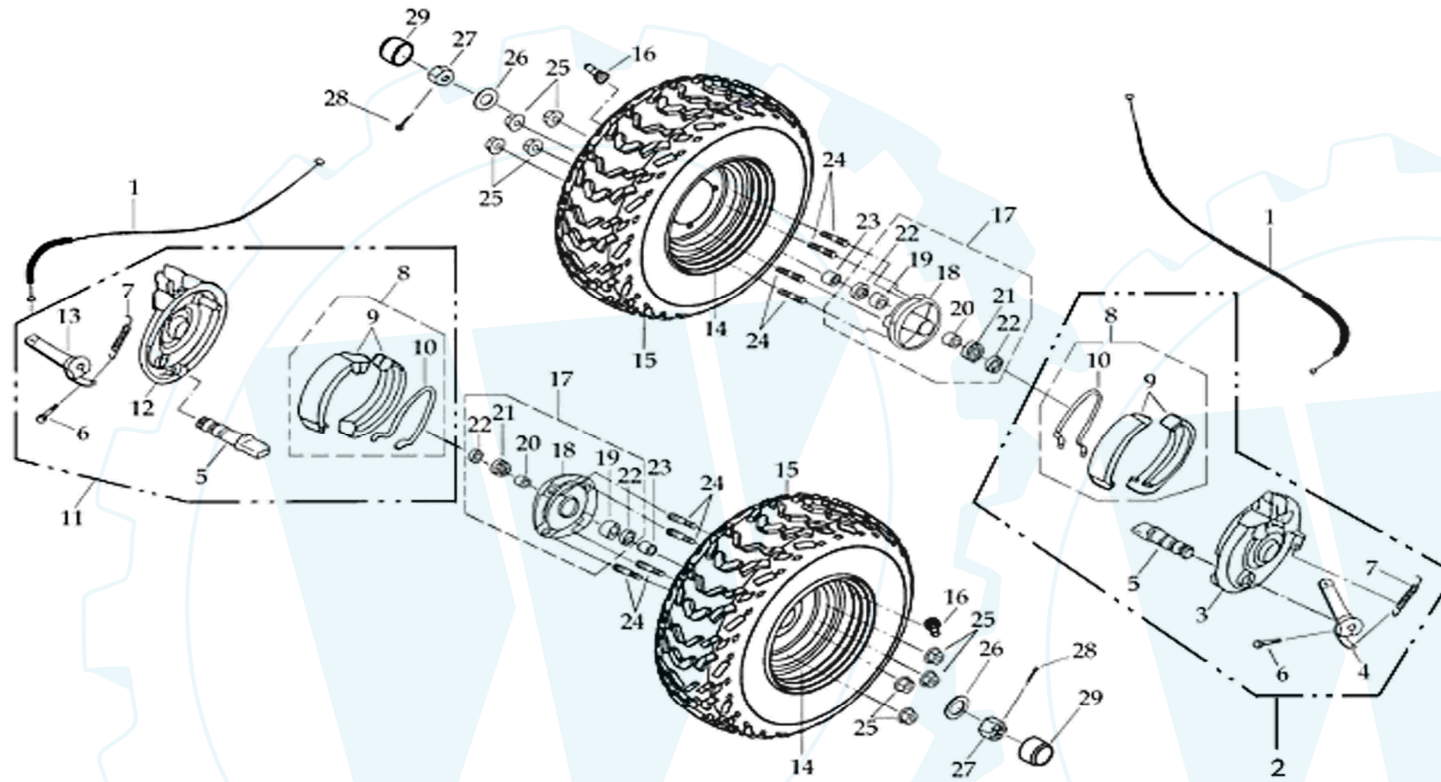
F1. FRAME BODY**ANTAL BESTILT HYLDE/SKUFFE**

Model	Ref no	Part no	Description	Specification	Quantity	Note
	1-01	F040102	FRAME		1	
	1-02	* A990154	LABEL MANUFACTURER		1	
	1-03	F020200	RIVET	Ø3X6	2	E-mark only
	1-04	* A990147	LICENCE PLATE		1	E-mark only
	1-05	F020404	DAMPER,ENGINE		1	
	1-06	A050012	HEX WASHER FACE BOLT	M8X1.25X80L	1	
	1-07	A060014	INSERT LOCK NUT	M8X1.25	1	
	1-08	A050057	HEX WASHER FACE BOLT	M8X1.25X15t	2	
	1-09	A080012	SPRING WASHER	Ø8.2X3.2X2t	2	
	1-10	F040012	BRACKET, BUMPER		1	
	1-11	A050023	HEX BOLT	M6X1.0X16L	2	
	1-12	A050068	HEX WASHER FACE BOLT	M10XX1.25X115L	2	
	1-13	A060007	INSERT LOCK NUT	M10X1.25	2	
	1-14	F020306	STEERING LOCK		1	E-mark
	1-14	F020182	STEERING LOCK		1	Non e-mark
	1-15	A050090	SLOTTED HEAD SCREWS	M6X1.0X8L	2	E-mark only

F2. FRONT WHEEL

Model	Ref no	Part no	Description	Specification	Quantity	Note
	2-01	F020163	FRONT BRAKE CABLE		2	Non e-mark
	2-02	F020284	FRONT BRAKE PLATE ASSEMBLY		1	
	2-03	F020159	FRONT BRAKE PLATE		1	
	2-04	F020160	FRONT BRAKE ARM		1	
	2-05	F020161	FRONT BRAKE CAM SHAFT		2	
	2-06	A050028	HEX WASHER FACE BOLT	M5X0.8X24L	2	
	2-07	A110005	STRAIN SPRING		2	
	2-08	F020296	FRONT BRAKE SHOE ASSEMBLY		2	
	2-09	* F020162	FRONT BRAKE SHOE		2	
	2-10	* A110009	FRONT RETURN SPRING		2	
	2-11	F020283	FRONT BRAKE PLATE ASSEMBLE		1	
	2-12	F020157	FRONT BRAKE PLATE		1	
	2-13	F020158	FRONT BRAKE ARM		1	
	2-14	F020026	WHEEL RIM	8X5.5"	2	
	2-15	F020149	TIRE	19X7-8"	2	
	2-16	F020154	RIM VALVE		2	
	2-17	F020282	FRONT BRAKE DRUM ASSEMBLE		2	
	2-18	F020247	FRONT BRAKE DRUM		2	
	2-19	A010007	BEARING	6002ZZ	2	
	2-20	F020191	INNER SPACER	Ø15XØ21.7X15L	2	
	2-21	A010005	BEARING	6003ZZ	2	
	2-22	A030002	OIL SEAL	Ø22XØ35X7	4	
	2-23	F020316	OUTER SPACER	Ø15XØ22X18.3L	2	
	2-24	A140002	STUD BOLT	M10X1.25X32L	8	
	2-25	A060007	INSERT LOCK NUT	M10X1.25	8	
	2-26	A080001	PLAIN WASHER	Ø14.2XØ40X4.5t	2	


F2. FRONT WHEEL



EDITION:01
2004.01.09

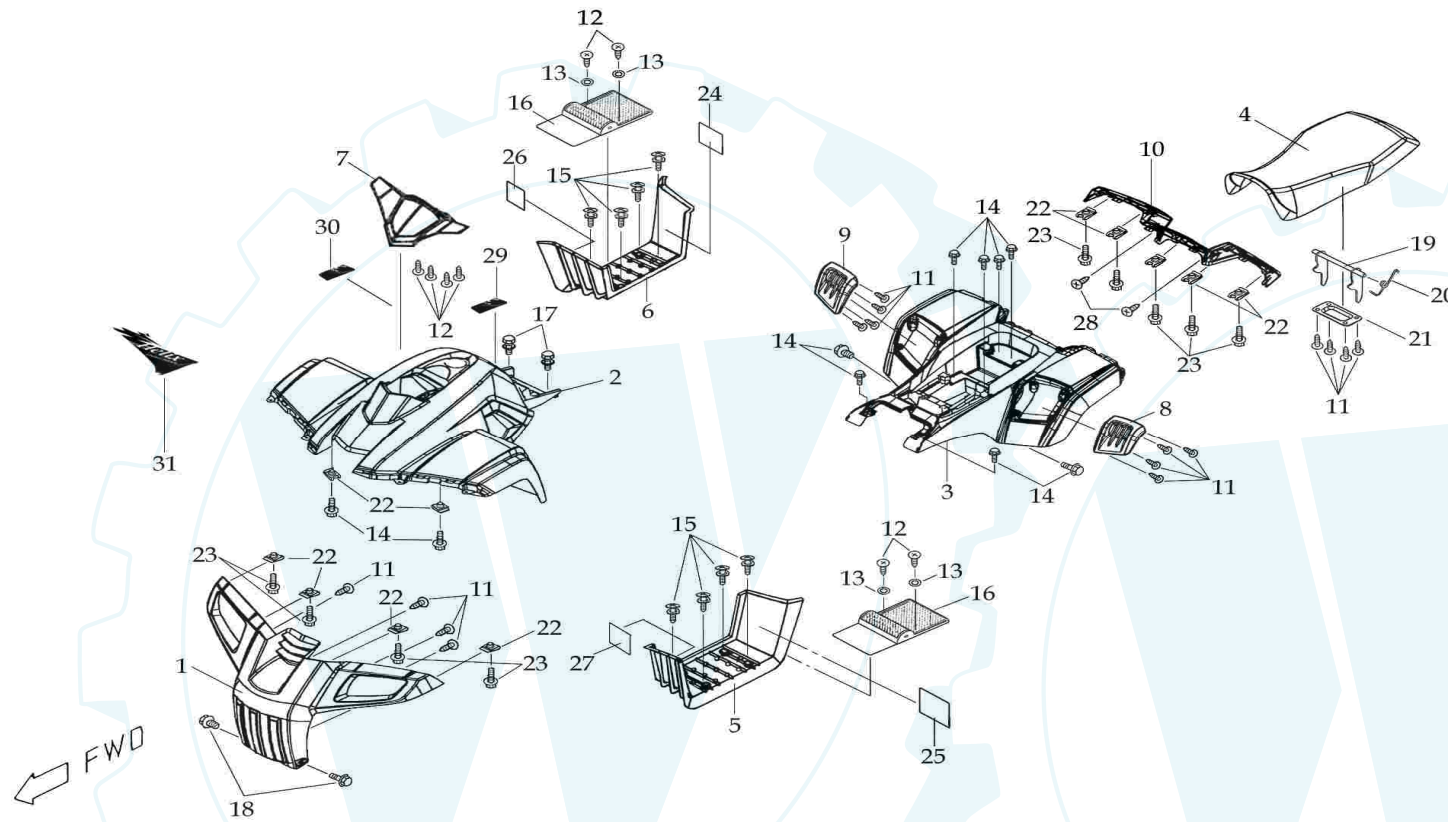
F2. FRONT WHEEL

Model	Ref no	Part no	Description	Specification	Quantity	Note
	2-27	A060026	HEX SLOTTED AND CASTLE NUTS	M14X1.5	2	
	2-28	A070002	COTTER PIN	3.2X32L	2	
	2-29	F020153	RUBBER CAP		2	



EDITION:01
2004.01.09

F3. FENDER SEAT(Non e-mark)

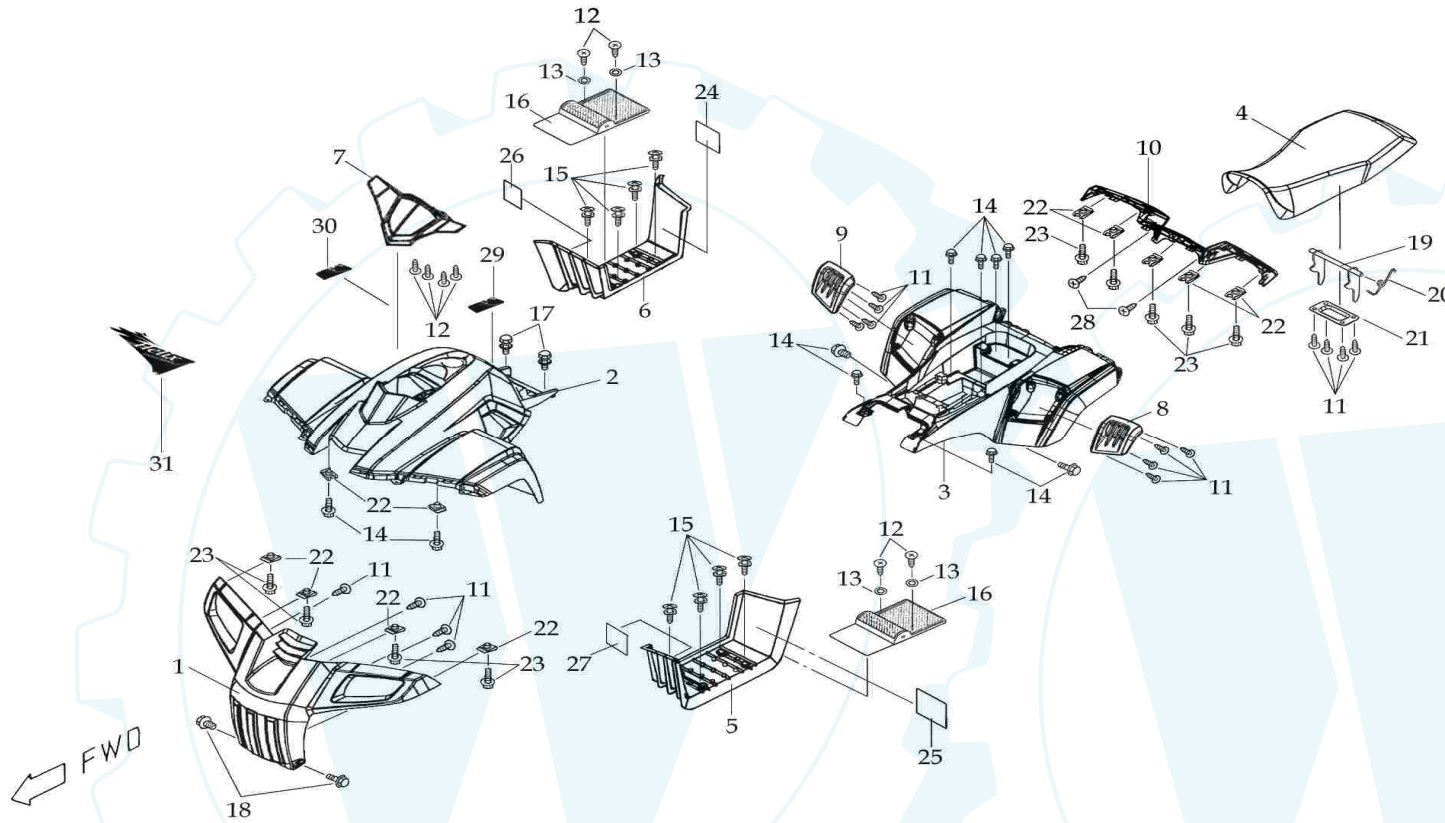


EDITION:01
2004.01.09

F3. FENDER SEAT(Non e-mark)

Model	Ref no	Part no	Description	Specification	Quantity	Note
	3-01	F040001	SHIELD , BUMPER		1	
	3-02	F040002Y	FRONT FENDER	P-2	1	
		F040002B	FRONT FENDER	P-1		
		F040002R	FRONT FENDER	P-1		
	3-03	F040003	REAR FENDER	P-2	1	
	3-04	F040065	SEAT ASSEMBLY		1	
	3-05	F040005	FOOTBOARD (L)	P-3	1	(L)
	3-06	F040006	FOOTBOARD (R)	P-3	1	(R)
	3-07	F080004	COVER , SPEEDOMETER		1	
	3-08	F040008	COVER , REAR FENDER (L)		1	(L)
	3-09	F040009	COVER , REAR FENDER (R)		1	(R)
	3-10	F040010	COVER , TAIL LIGHT		1	
	3-11	A130005	TAPPING SCREW	5X16L	16	
	3-12	A130002	TAPPING SCREW	4X12L	8	
	3-13	A080037	PLAIN WASHER	Ø4.2XØ12X1.0t	4	
	3-14	A050023	HEX BOLT	M6X1.0X16L	10	
	3-15	A050018	PAN PHILLIPS BOLT	M6X1.0X16L	8	
	3-16	F020128	DAMPER MAT , FOOTREST		2	
	3-17	A050063	HEX BOLT	M6X1.0X20L	2	
	3-18	A050066	HEX WASHER FACE BOLT	M8X1.25X15L	2	
	3-19	F030022	CLAMP , SWAT		1	
	3-20	A110010	TORSION SPRING		1	
	3-21	F030021	BRACKET , SEAT		1	
	3-22	F020195	CLIP , U	M6	11	
	3-23	A050022	HEX BOLT	M6X1.0X18L	9	
	3-24	A990032	PRORER ATV USE DECAL		1	
	3-25	A990138	DECAL , WARING		1	
	3-26	A990135	DECAL , WARING(Y-16)		1	

F3. FENDER SEAT(Non e-mark)



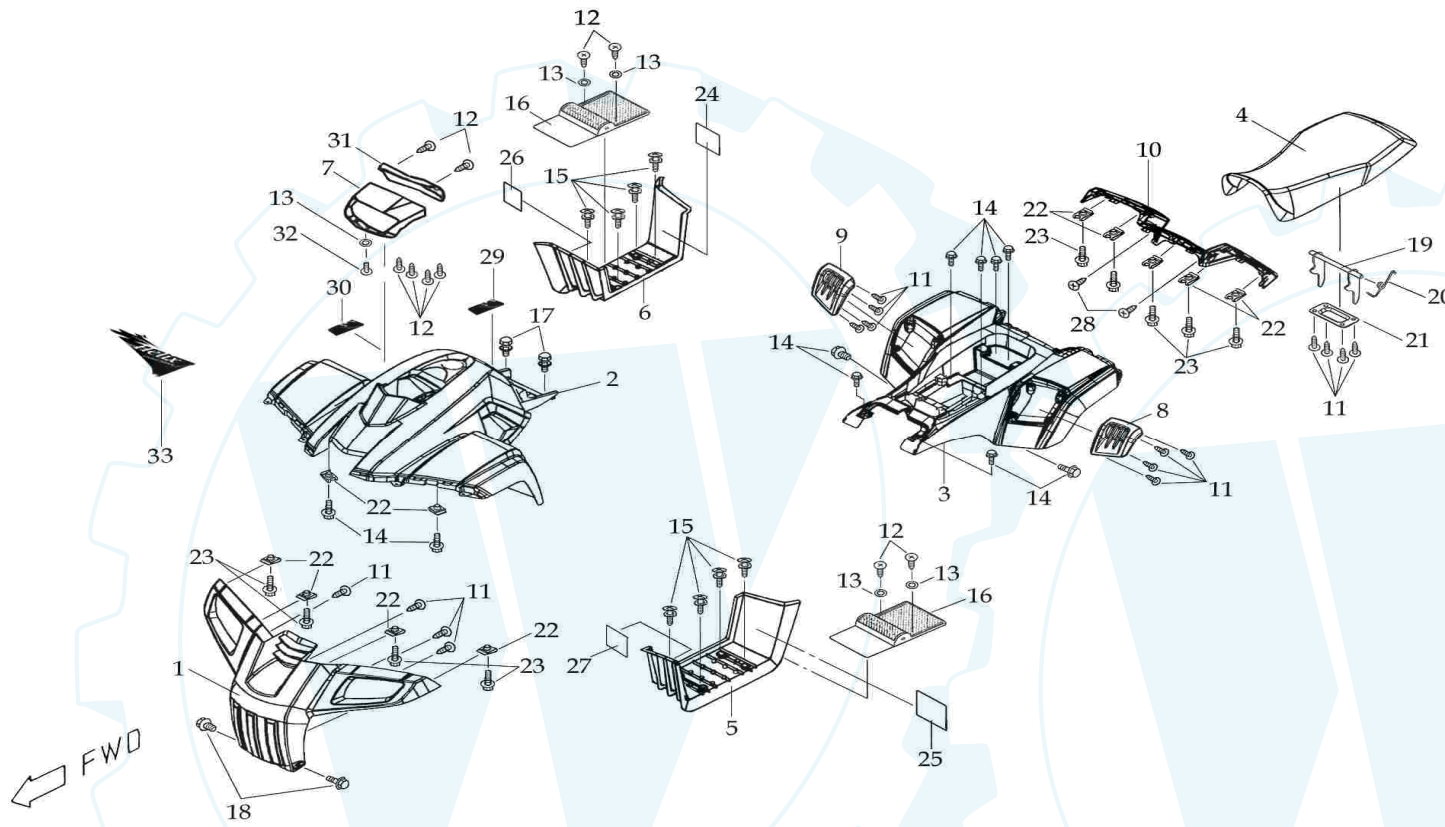
EDITION:01
2004.01.09

F3. FENDER SEAT(Non e-mark)

Model	Ref no	Part no	Description	Specification	Quantity	Note
	3-27	A990033	NO PASSENGER DECAL		1	
	3-28	A130018	TAPPING SCREW	5X12L	2	
	3-29	A990150	DECAL , WARRING		1	
	3-30	A990149	DECAL , WARRING		1	
	3-31	A990127	DECAL HELIX (B/BLUE)		1	
	3-31	A990128	DECAL HELIX (B/R)		1	
	3-31	A990129	DECAL HELIX (B/Y)		1	

EDITION:01
2004.01.09

F3. FENDER SEAT(E-mark)

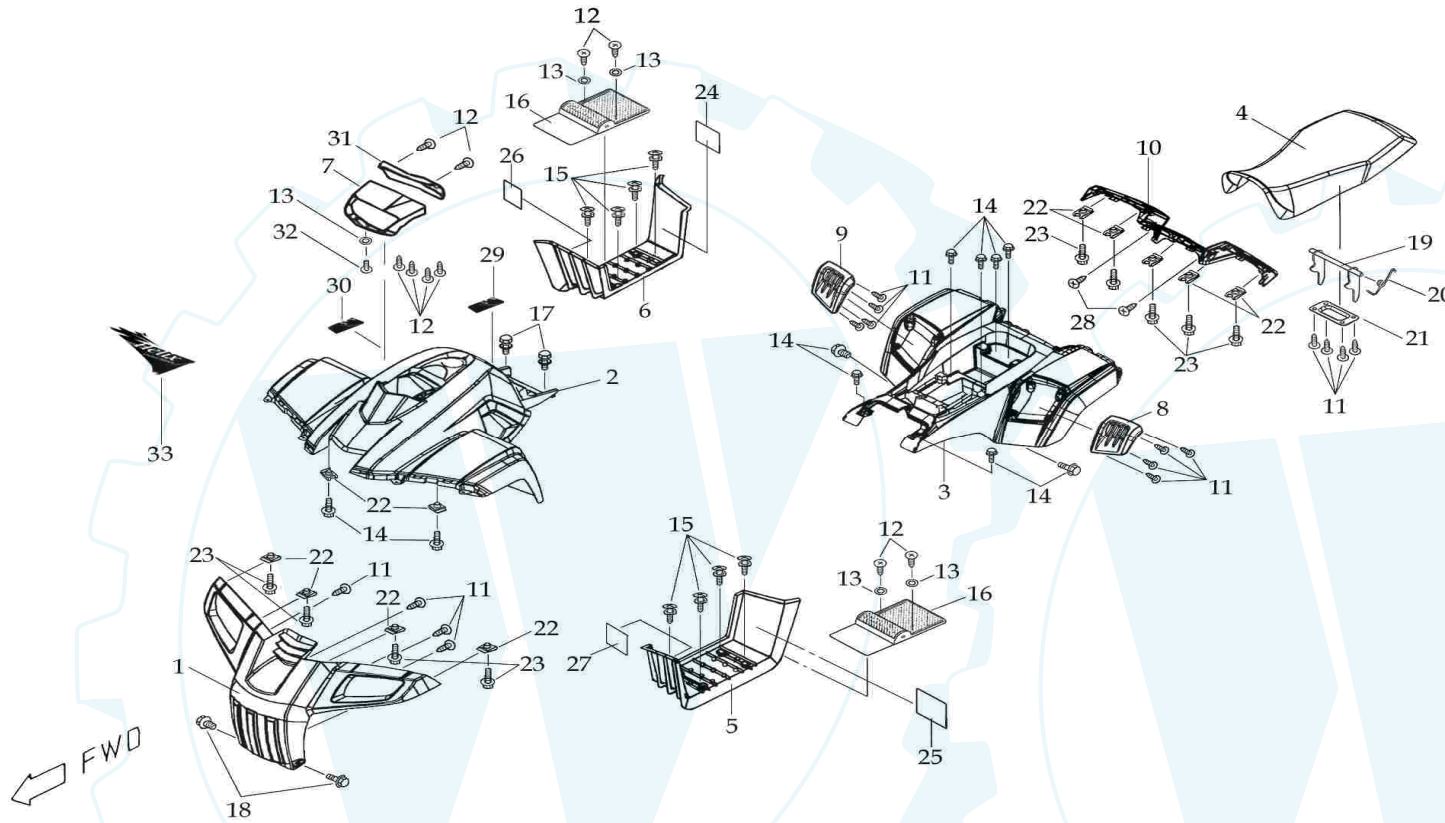


EDITION:01
2004.01.09

F3. FENDER SEAT(E-mark)

Model	Ref no	Part no	Description	Specification	Quantity	Note
	3-01	F040001	SHIELD , BUMPER		1	
	3-02	F040002	FRONT FENDER		1	
	3-03	F040003	REAR FENDER		1	
	3-04	F040065	SEAT ASSEMBLY		1	
	3-05	F040005	FOOTBOARD (L)	(L)	1	
	3-06	F040006	FOOTBOARD (R)	(R)	1	
	3-07	F040080	COVER , HEADLIGHT		1	
	3-08	F040008	COVER , REAR FENDER (L)	(L)	1	
	3-09	F040009	COVER , REAR FENDER (R)	(R)	1	
	3-10	F040010	COVER , TAIL LIGHT		1	
	3-11	A130005	TAPPING SCREW	5X16L	16	
	3-12	A130002	TAPPING SCREW	4X12L	10	
	3-13	A080037	PLAIN WASHER	Ø4.2XØ12X1.0t	5	
	3-14	A050023	HEX BOLT	M6X1.0X16L	10	
	3-15	A050018	PAN PHILLIPS BOLT	M6X1.0X16L	8	
	3-16	F020128	DAMPER MAT , FOOTREST		2	
	3-17	A050063	HEX BOLT	M6X1.0X20L	2	
	3-18	A050066	HEX WASHER FACE BOLT	M8X1.25X15L	2	
	3-19	F030022	CLAMP , SWAT		1	
	3-20	A110010	TORSION SPRING		1	
	3-21	F030021	BRACKET , SEAT		1	
	3-22	F020195	CLIP , U	M6	11	
	3-23	A050022	HEX BOLT	M6X1.0X18L	9	
	3-24	A990148	PRORER ATV USE DECAL		1	
	3-25	A990138	DECAL , WARING		1	
	3-26	A990135	DECAL , WARING(Y-16)		1	

F3. FENDER SEAT(E-mark)

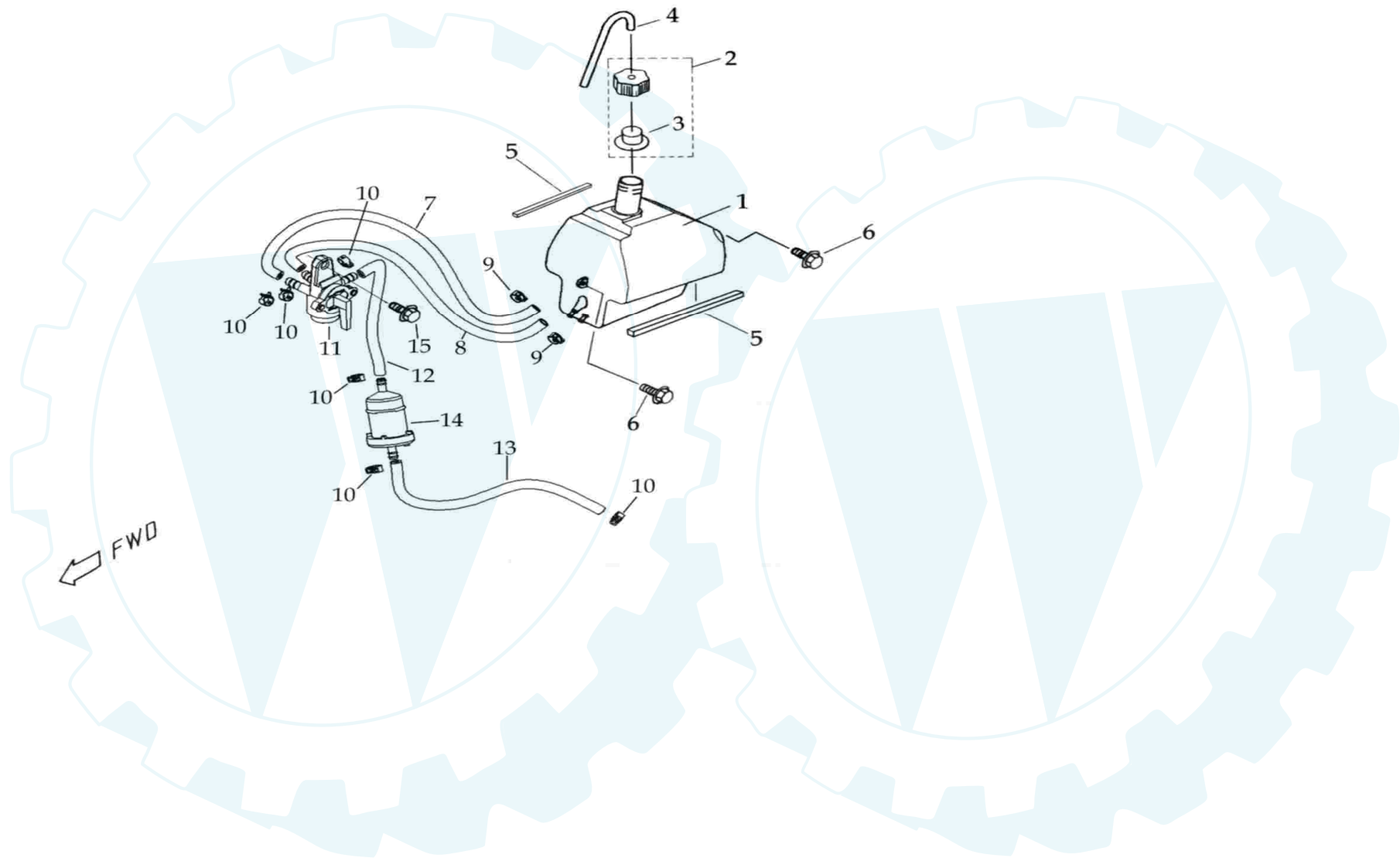


EDITION:01
2004.01.09

F3. FENDER SEAT(E-mark)

Model	Ref no	Part no	Description	Specification	Quantity	Note
	3-27	A990033	NO PASSENGER DECAL		1	
	3-28	A130018	TAPPING SCREW	5X12L	2	
	3-29	A990150	DECAL , WARRING		1	
	3-30	A990149	DECAL , WARRING		1	
	3-31	F040079	COVER , SPEEDOMETER		1	
	3-32	A050096	SCREW ,PAN HEAD	M4*0.8*12L	1	
	3-33	A990127	DECAL HELIX (B/BLUE)		1	
	3-33	A990128	DECAL HELIX (B/R)		1	
	3-33	A990129	DECAL HELIX (B/Y)		1	

F4. FUEL TANK

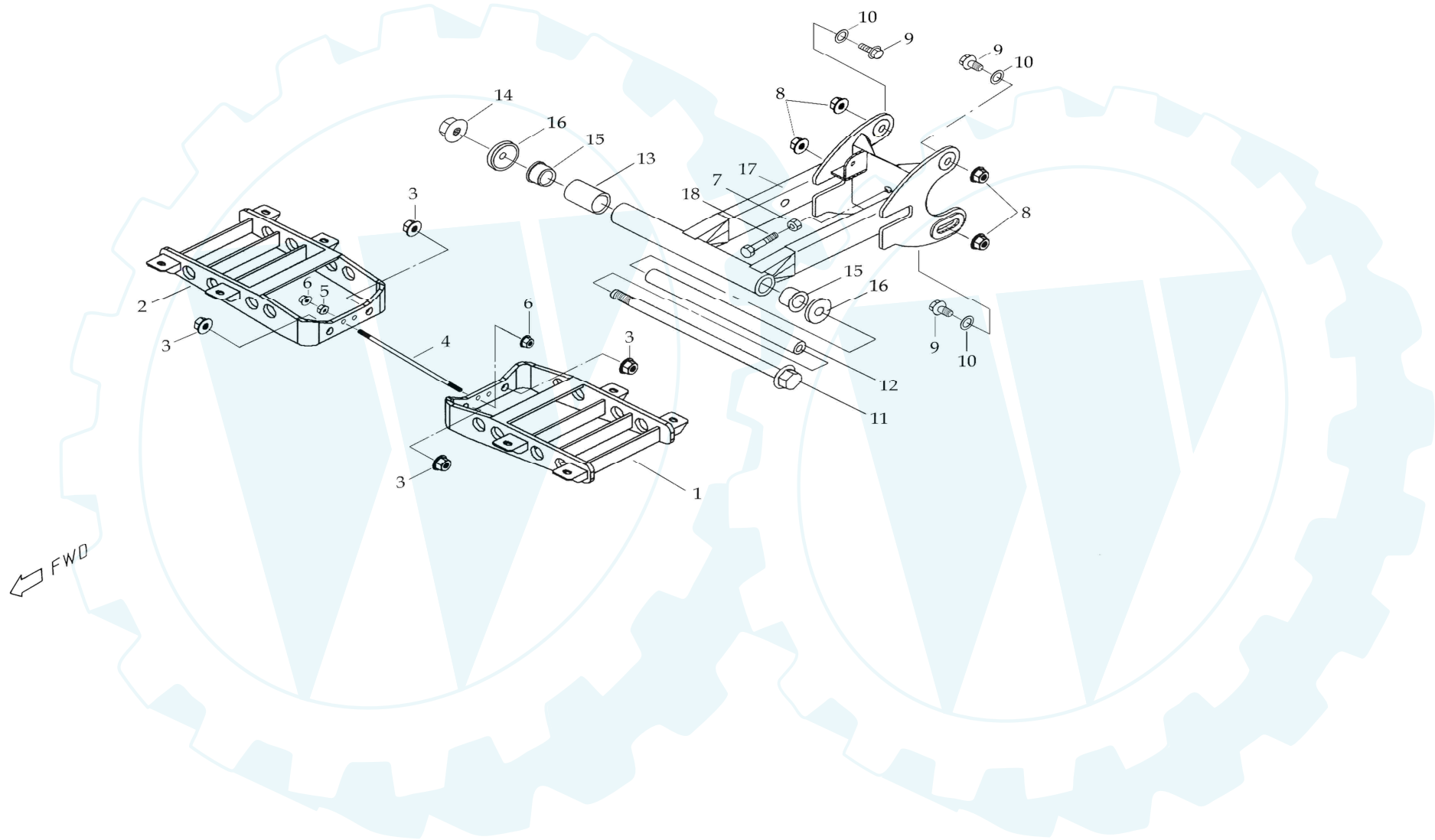


EDITION:01
2004.01.09

F4. FUEL TANK

Model	Ref no	Part no	Description	Specification	Quantity	Note
	4-01	F020067	FUEL TANK		1	
	4-02	F020054	FUEL TANK CAP		1	
	4-03	* F020147	BREATHE FILM		1	
	4-04	F020145	BREATHE TUBE	L=190mm	1	
	4-05	F020096	RUBBER MAT	EVA	2	
	4-06	A050024	HEX WASHER FACE BOLT	M6X1.0X16L	2	
	4-07	F020046	FUEL TUBE A	L=270mm	1	
	4-08	F020047	FUEL TUBE B	L=250mm	1	
	4-09	F020196	CLIP	12X0.8	3	
	4-10	F020197	CLIP	9.2X0.6	6	
	4-11	F020144	MANUAL FUEL CUP ASSEMBLY		1	
	4-12	F020213	FUEL TUBE D	L=60mm	1	
	4-13	F060058	FUEL TUBE C	L=230mm	1	
	4-14	F020143	FUEL FILTER ASSEMBLY		1	
	4-15	A050017	HEX WASHER FACE BOLT	M6X1.0X12L	1	

F5. SWING ARM SUB ASS'Y

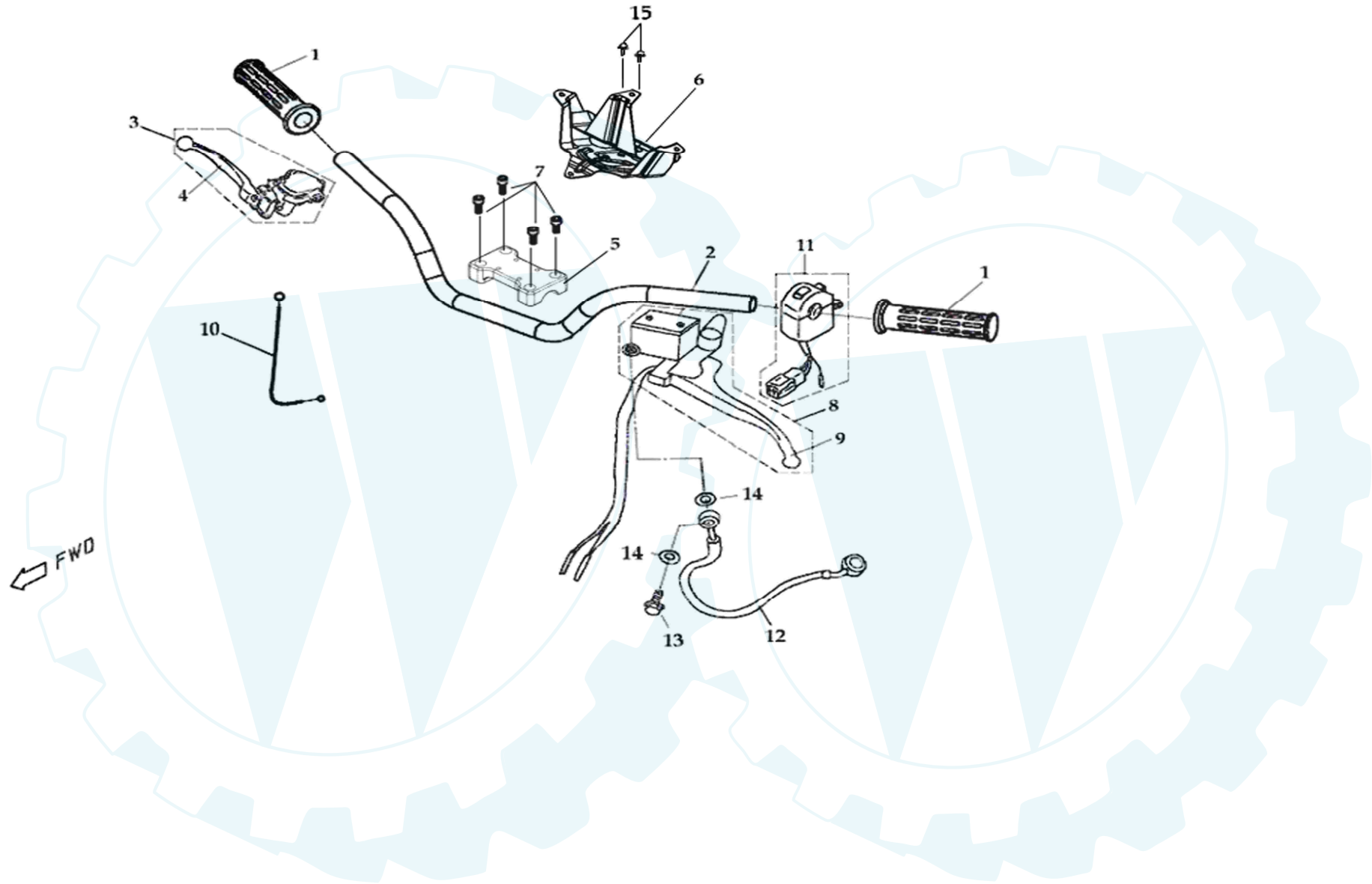


EDITION:01
2004.01.09

F5. SWING ARM SUB ASS'Y

Model	Ref no	Part no	Description	Specification	Quantity	Note
	5-01	F030008	BRACKET , FOOTREST(L)		1	
	5-02	F040103	BRACKET , FOOTREST(R)		1	E-mark
	5-02	F030008	BRACKET , FOOTREST(R)		1	
	5-03	A060007	INSERT LOCK NUT	M10X1.25	4	
	5-04	A140004	STUD BOLT	M8X1.25X256L	1	
	5-05	A060030	HEX NUT	M8X1.25	1	
	5-06	A060014	INSERT LOCK NUT	M8X1.25	2	
	5-07	A060002	HEXNUT	M10X1.25	1	
	5-08	A060008	INSERT LOCK NUT	M12X1.5	4	
	5-09	A050094	HEX WASHER FACE BOLT	M12X1.25X45L	4	
	5-10	A080060	PLAIN WASHER	Ø12.5XØ30X3t	4	
	5-11	A050002	HEX WASHER FACE BOLT	M14X1.5X282L	1	
	5-12	F020010	SWING ARM SPACER TUBE	Ø20XØ14.1X253.3L	1	
	5-13	F020132	RUBBER SLEEVE		1	
	5-14	A060006	INSERT LOCK NUT	M14X1.5	1	
	5-15	F020474	BUSH	Ø20	2	
	5-16	F020030	SWING ARM SEAL COVER		2	
	5-17	F020007	SWING ARM SUB ASSEMBLY		1	
	5-18	A050004	HEX BOLT	M10X1.25X50L	1	

F6. HANDLE BAR (Non E-mark)

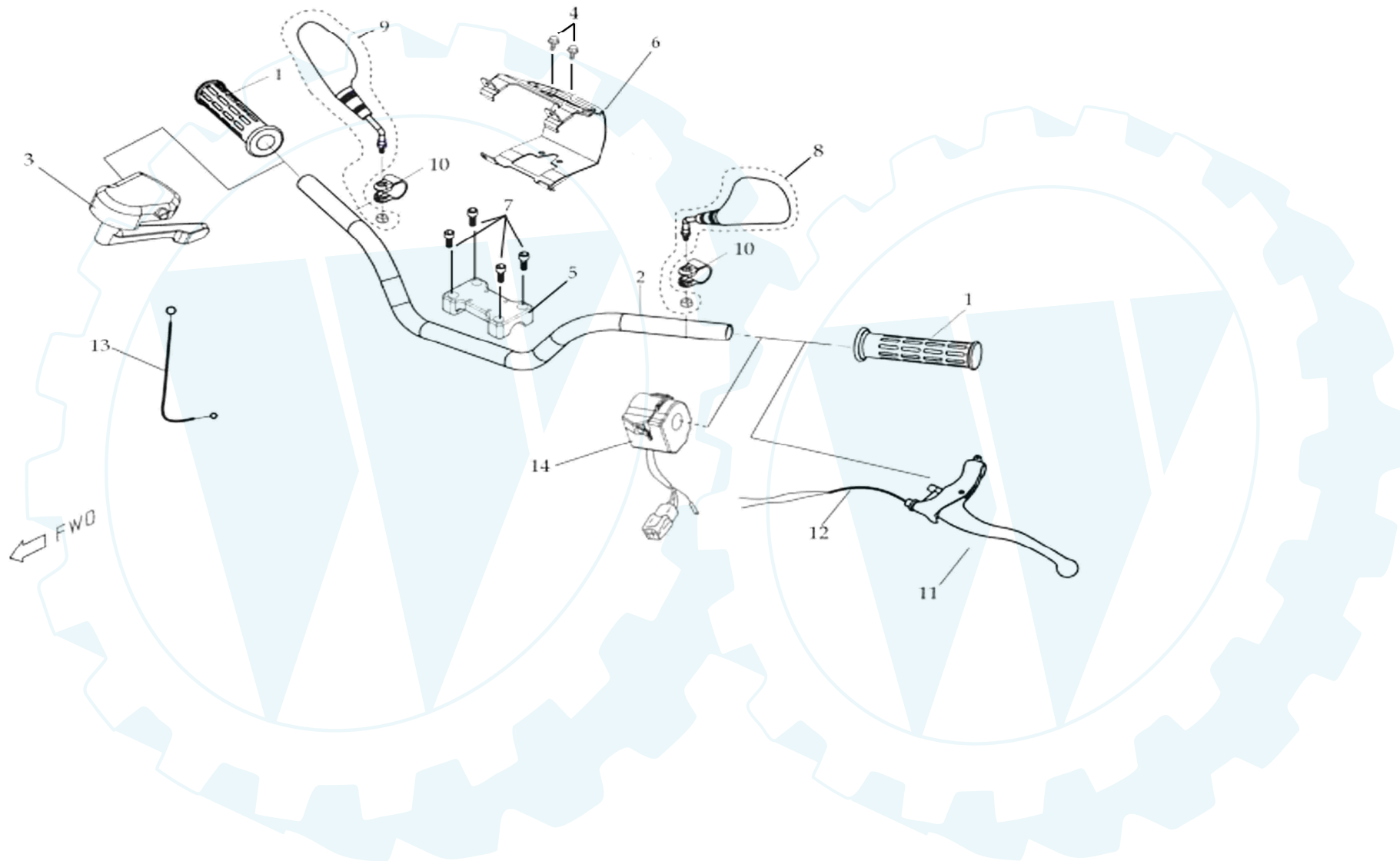


EDITION:01
2004.01.09

F6. HANDLE BAR (Non E-mark)

Model	Ref no	Part no	Description	Specification	Quantity	Note
	6-01	F020167	HANDLE GRIP		2	
	6-02	F020166	HANDLE BAR COMPLETE		1	
	6-03	F020169	RIGHT LEVER ASSEMBLY		1	
	6-04	F020267	RIGHT LEVER		1	
	6-05	F020468	HANDLE BAR BRACKET		1	
	6-06	F080012	TUBE , HYDRAULIC BRAKE		1	
	6-07	A050029	HEX SOCKET SCREW	M6X1.0X25L	4	
	6-08	F020168	LEFT LEVER ASSEMBLY		1	
	6-09	F020268	LEFT LEVER		1	
	6-10	F020430	WIRE,THROTTLE ASSY'		1	
	6-11	F040030	LEFT SWITCH ASSEMBLY		1	
	6-12	F020173	TUBE , HYDRAULIC BRAKE		1	
	6-13	A050009	HEX WASHER FACE BOLT	M10X1.25X22L	1	
	6-14	A080011	PLAIN WASHER	Ø10.3XØ15X1.5t	2	
	6-15	A050017	HEX WASHER FACE BOLT	M6X1.0X12L	2	

F6. HANDLE BAR (E-mark)

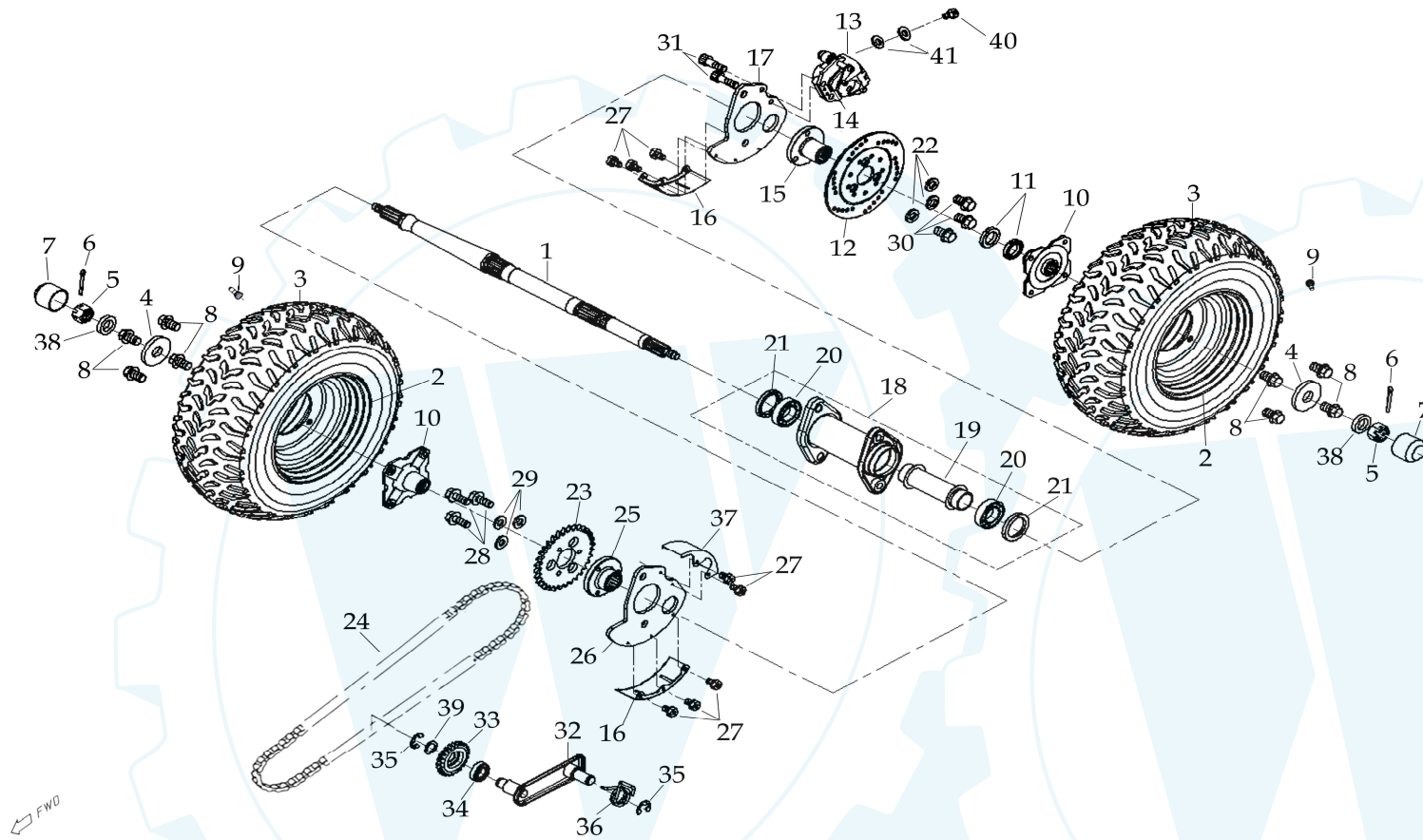


EDITION:01
2004.01.09

F6. HANDLE BAR (E-mark)

Model	Ref no	Part no	Description	Specification	Quantity	Note
	6-01	F020167	HANDLE GRIP		2	
	6-02	F020166	HANDLE BAR COMPLETE		1	
	6-03	F050066	RIGHT LEVER ASSEMBLY		1	
	6-04	A050017	HEX WASHER FACE BOLT	M6X1.0X12L	2	
	6-05	F020468	HANDLE BAR BRACKET		1	
	6-06	F040082	HOLDER,HEADLIGHT COVER		1	
	6-07	A050029	HEX SOCKET SCREW	M6X1.0X25L	4	
	6-08	F020416	LEFT REAR-VIEW MIRROR		1	
			HEX NUT	M8X1.5	1	
	6-09	F020270	RIGHT REAR-VIEW MIRROR		1	
			HEX NUT	M8X1.5	1	
	6-10	F020271	CLAMP	Ø22	2	
	6-11	F020392	LEFT LEVER ASSEMBLY		2	
	6-12	F070020	SENSOR,BACK BRAKES		1	
	6-13	F020430	WIRE,THROTTLE ASSY'		1	
	6-14	F020440	LEFT SWITCH ASSEMBLY		1	

F7. REAR WHEEL

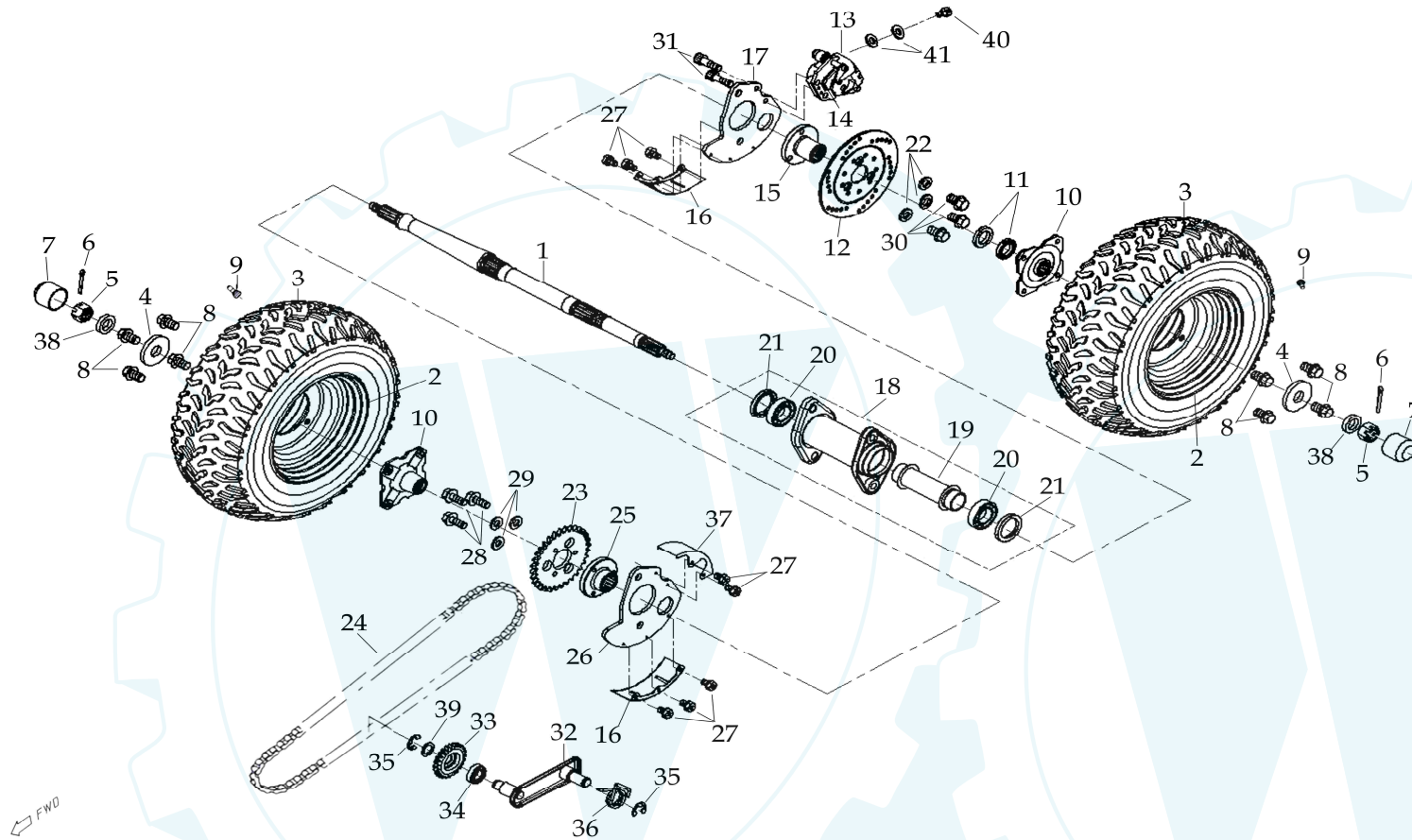


EDITION:01
2004.01.09

F7. REAR WHEEL

Model	Ref no	Part no	Description	Specification	Quantity	Note
	7-01	F030037	REAR AXLE		1	
	7-02	F020026	WHEEL RIM	8X5.5"	2	
	7-03	F020155	TIRE	18X9.5-8"	2	
	7-04	A080001	PLAIN WASHER	Ø14.2XØ40X4.5t	2	
	7-05	A060026	HEX SLOTTED AND CASTLE NUTS	M14X1.5	2	
	7-06	A070002	COTTER PIN	3.2X32L	2	
	7-07	F020153	RUBBER CAP		2	
	7-08	A050005	HEX WASHER FACE BOLT	M10X1.25X15L	8	
	7-09	F020154	RIM VALVE		2	
	7-10	F020025	SHAFT CONNECTER		2	
	7-11	A060003	HEXNUT	M27X1.5	2	
	7-12	F020242	DISCPLATE , BRAKE	Ø180	1	
	7-13	F020032	CALIPER , DISC BRAKE		1	
	7-14	F020302	SHOE , DISK BRAKE		1	
	7-15	F020014	BASE , BRAKE		1	
	7-16	F020009	PROTECTIVE COVER		2	
	7-17	F020045	HOLDER , PROTECTIVE COVER(L)		1	
	7-18	F020004	REAR AXLE FIX SEAT		1	
	7-19	F020001	SPACER TUBE		1	
	7-20	A010006	BEARING	6006ZZ	2	
	7-21	A030012	OIL SEAL	Ø40XØ55X7	2	
	7-22	A080009	SPRING WASHER	Ø10.2X3.7X2.5t	3	
	7-23	F020017	FINAL DRIVE SPROCKET	32T	1	
	7-24	F020450	DRIVE CHAIN ASSY.	428UO X 90.	1	
	7-25	F030034	FINAL DRIVE SPROCKET HOLDER		1	
	7-26	F020005	HOLDER , PROTECTIVE COVER(R)		1	
	7-27	A050007	HEX BOLT	M5X0.8X8L	8	
	7-28	A050006	HEX WASHER FACE BOLT	M8X1.0X20L	3	
	7-29	A080012	SPRING WASHER	Ø8.2X3.2X2t	3	

F7. REAR WHEEL

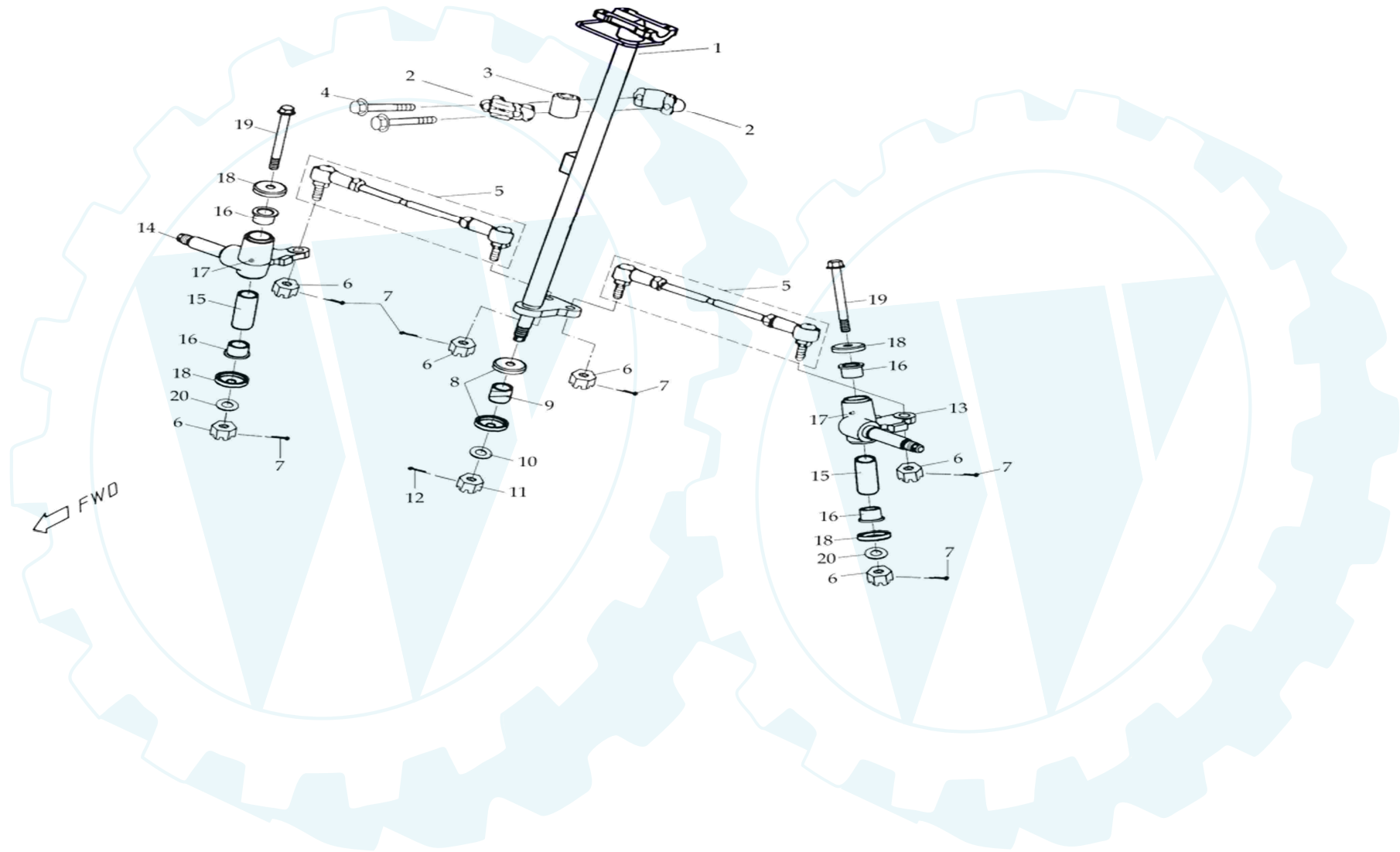


EDITION:01
2004.01.09

F7. REAR WHEEL

Model	Ref no	Part no	Description	Specification	Quantity	Note
	7-30	A050005	HEX WASHER FACE BOLT	M10X1.25X15L	3	
	7-31	A050135	HEX SOCKET SCREW	M8X1.0X25L	2	
	7-32	F030035	BRACKET , IDLE GEAR		1	
	7-33	F020201	IDLE GEAR		1	
	7-34	A010008	BEARING	6901 2RS	1	
	7-35	A100002	CLIP	Ø10	2	
	7-36	A110004	TORSION SPRING		1	
	7-37	F020219	PROTECTIVE COVER , REAR WHEEL		1	
	7-38	A080016	PLAIN WASHER	Ø15XØ24X5t	2	
	7-39	A080018	PLAIN WASHER	Ø12.2XØ18X1.0t	1	
	7-40	A050009	HEX WASHER FACE BOLT	M10X1.25X22L	1	
	7-41	A080011	PLAIN WASHER	Ø10XØ15X1.5t	2	

F8. STEERING

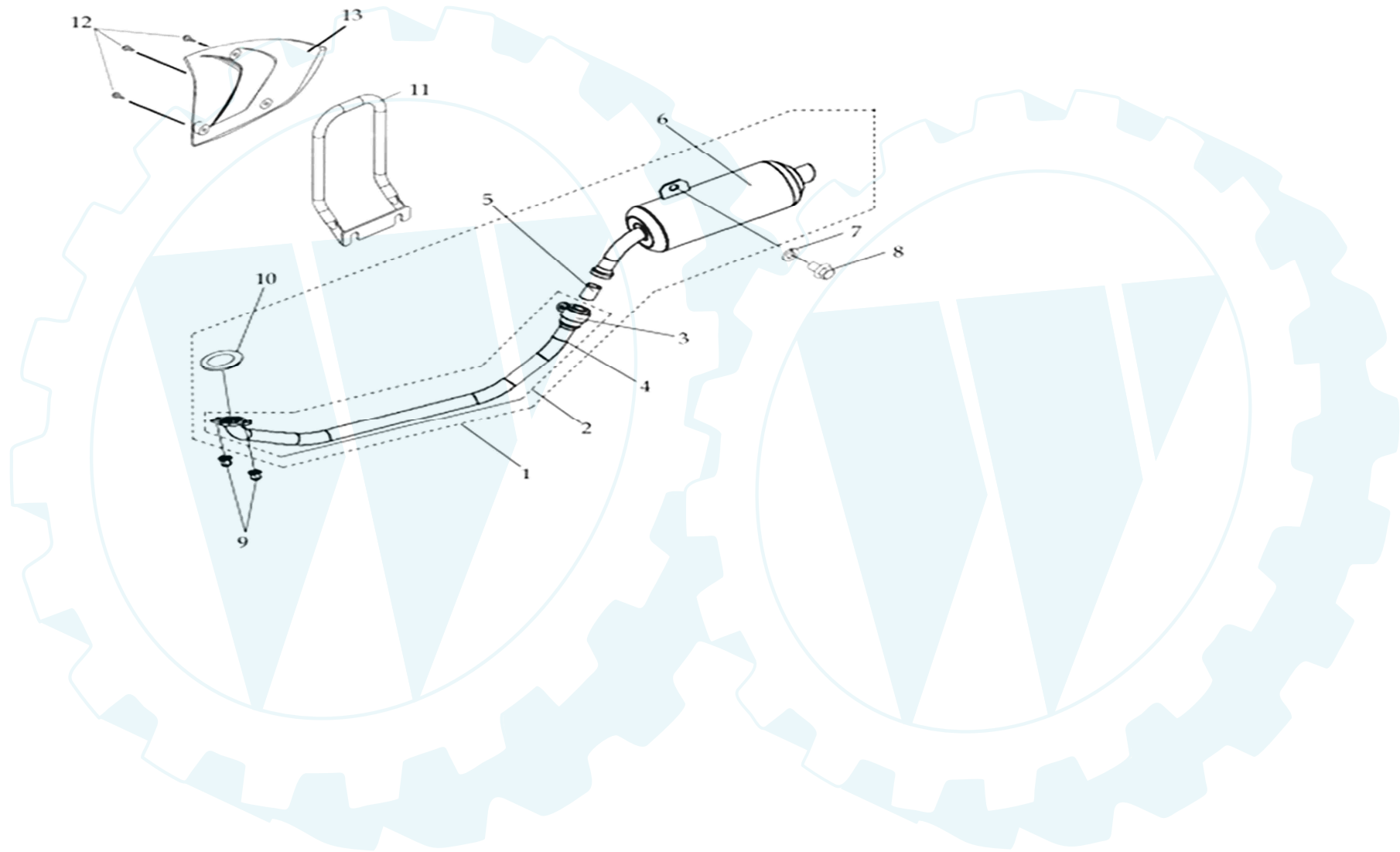


EDITION:01
2004.01.09

F8. STEERING

Model	Ref no	Part no	Description	Specification	Quantity	Note
	8-01	F020397	STEERING SHAFT		1	
	8-02	F020119	STEERING SHAFT BRACKET		2	
	8-03	F020037	STEERING SHAFT BUSH SLEEVE		1	
	8-04	A050010	HEX WASHER FACE BOLT	M8X1.25X65L	2	
	8-05	F020314	STEERING TIE-ROD ASS'Y		2	
	8-06	A060024	HEX SLOTTED & CASTLE NUT	M10X1.25	6	
	8-07	A070011	PIN, COTTER	Ø2.8X32L	6	
	8-08	F050036	SEAL, COVER		2	
	8-09	F050035	BUSH, STEERING SHAFT	Ø15XØ22X25L	1	
	8-10	A080013	PLAIN WASHER	Ø14.5XØ26X2t	1	
	8-11	A060026	HEX SLOTTED & CASTLE NUT	M14X1.5	1	
	8-12	A070002	PIN, COTTER	Ø3.2X32L	1	
	8-13	F020323	KNUCKLE, STEERING L.H.		1	
	8-14	F020324	KNUCKLE, STEERING R.H.		1	
	8-15	F050015	TUBE, STEERING KNUCKLE	Ø10XØ17X70.2L	2	
	8-16	F050117	BUSH, STEERING KNUCKLE		4	
	8-17	F020140	GREASE VALVE		2	
	8-18	F050018	SEAL, COVER		4	
	8-19	A050073	HEX WASHER FACE BOLT	M10X1.25X100L	2	
	8-20	A080061	PLAIN WASHER	Ø10.5XØ22X3.5t	2	

F9. MUFFLER

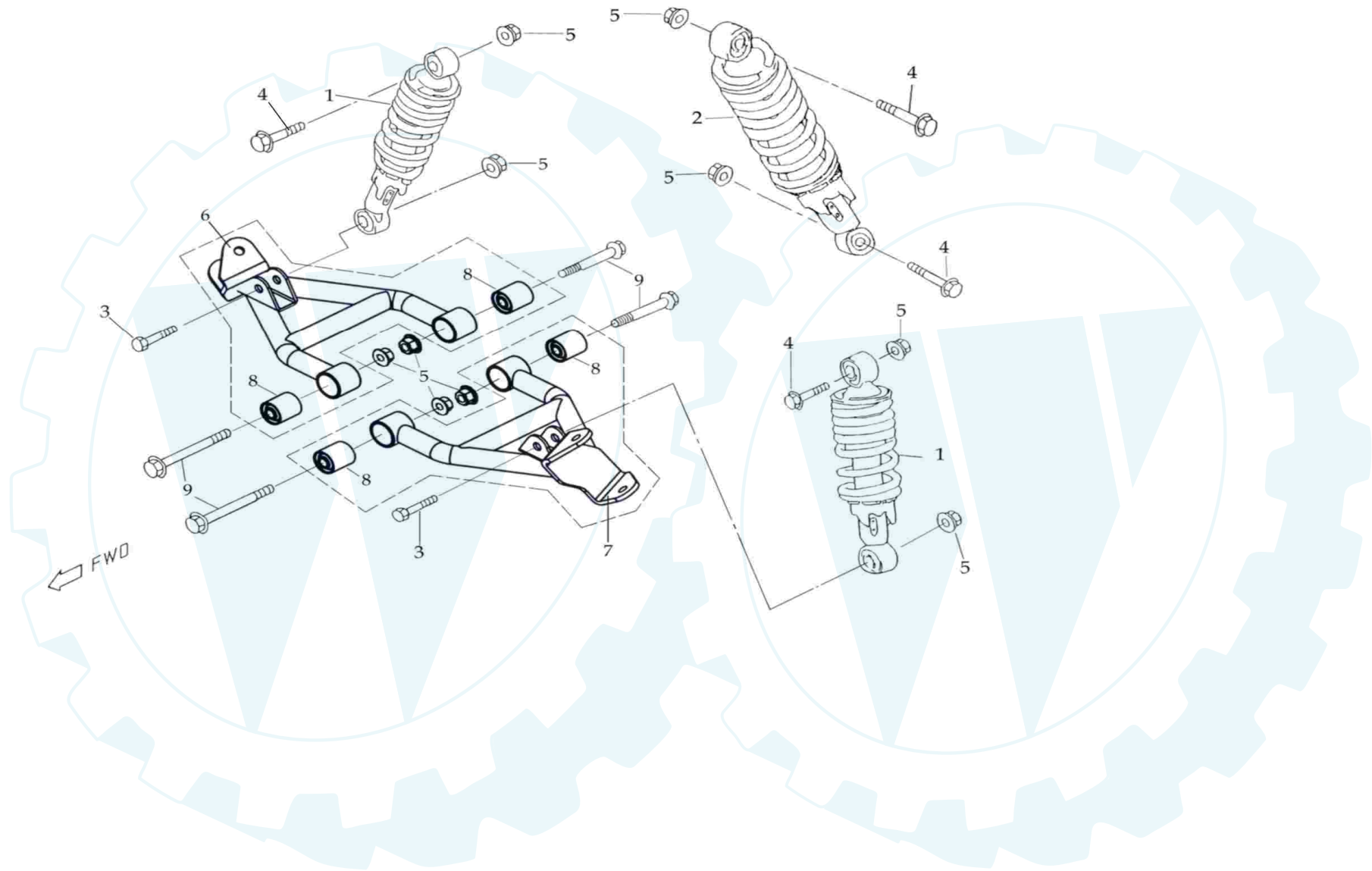


EDITION:01
2004.01.09

F9. MUFFLER

Model	Ref no	Part no	Description	Specification	Quantity
	9-01	F020370	MUFFLER ASSEMBLY		1
	9-02	F020442	GASKET , MUFFLER		1
	9-03	* F020444	RING CLAMP		1
	9-04	* F020443	HEAD , MUFFLER		1
	9-05	F020445	INSERT LOCK NUT		1
	9-06	F020446	PRINCIPAL PART,MUFFLER		1
	9-07	A080009	SPRING WASHER	Ø10.2X3.7X2.5t	1
	9-08	A050058	HEX WASHER FACE BOLT	M10X1.5X15L	1
	9-09	A060040	HEX NUT,DOUBLE LANTH	M8X1.25	1
	9-10	F020435	SEAL,MUFFLER		1
	9-11	F020228	BRACE,FOOT PROTECT		1
	9-12	A130002	TAPPING SCREW	4X12L	3
	9-13	F020472	COVER,SAFETY		1

F10. FRONT REAR SUSPENSION



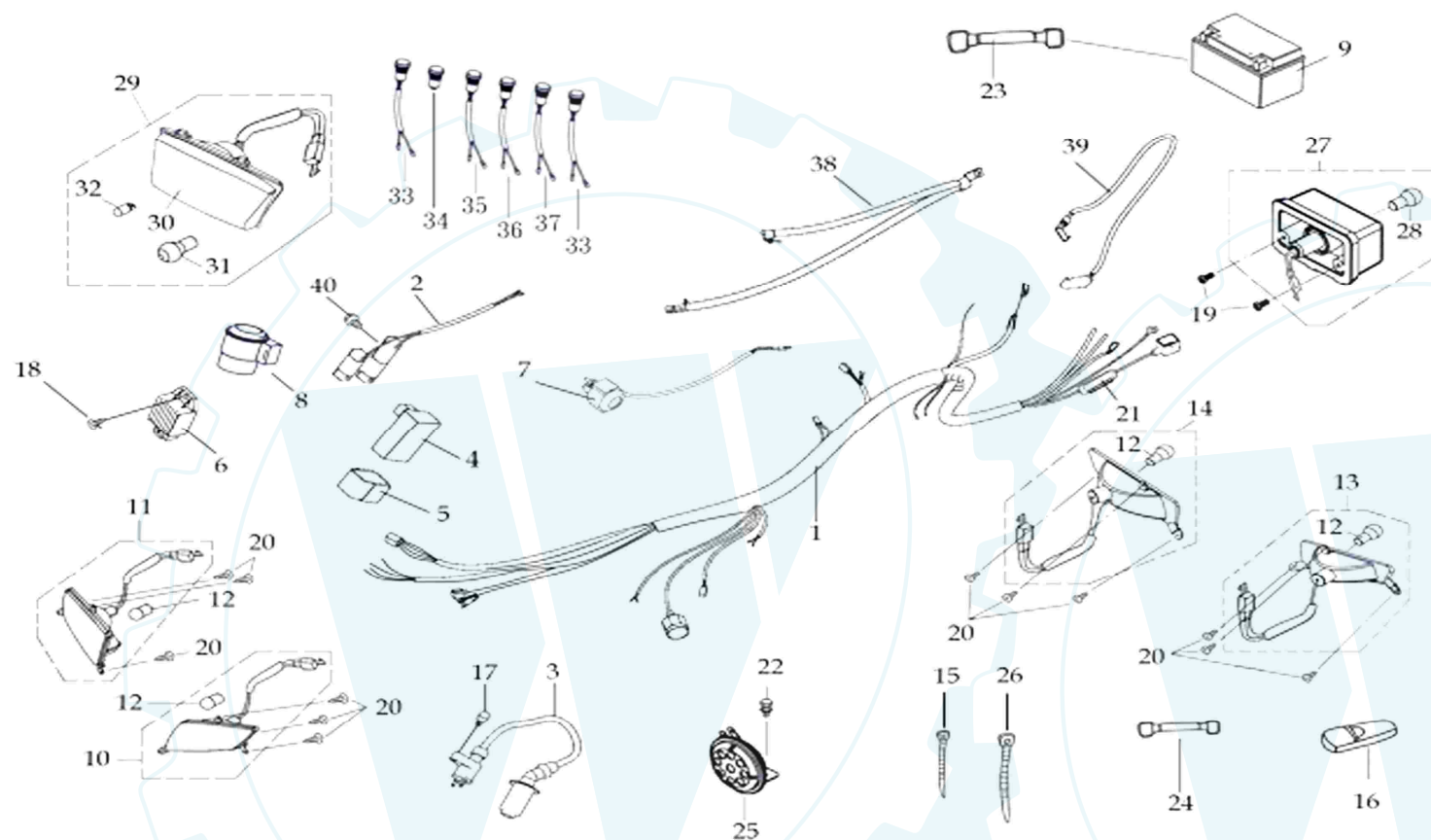
EDITION:01
2004.01.09

F10. FRONT REAR SUSPENSION

Model	Ref no	Part no	Description	Specification	Quantity	Note
	10-01	F020344	FRONT SUSPENSION	260mm	2	
	10-02	F020280	REAR SUSPENSION	260mm	1	
	10-03	A050025	HEX BOLT	M10X1.25X40L	2	
	10-04	A050001	HEX WASHER FACE BOLT	M10X1.25X40L	4	
	10-05	A060007	INSERT LOCK NUT	M10X1.25	10	
	10-06	F020327	RIGHT SUSPENSION ARM		1	
	10-07	F020328	LEFT SUSPENSION ARM		1	
	10-08	F020134	SUSPENSION ARM BUSH	Ø10XØ28X27L	4	
	10-09	A050019	HEX WASHER FACE BOLT	M10X1.25X48L	4	

EDITION:01
2004.01.09

F11. WIRE HARNESS(E-mark)

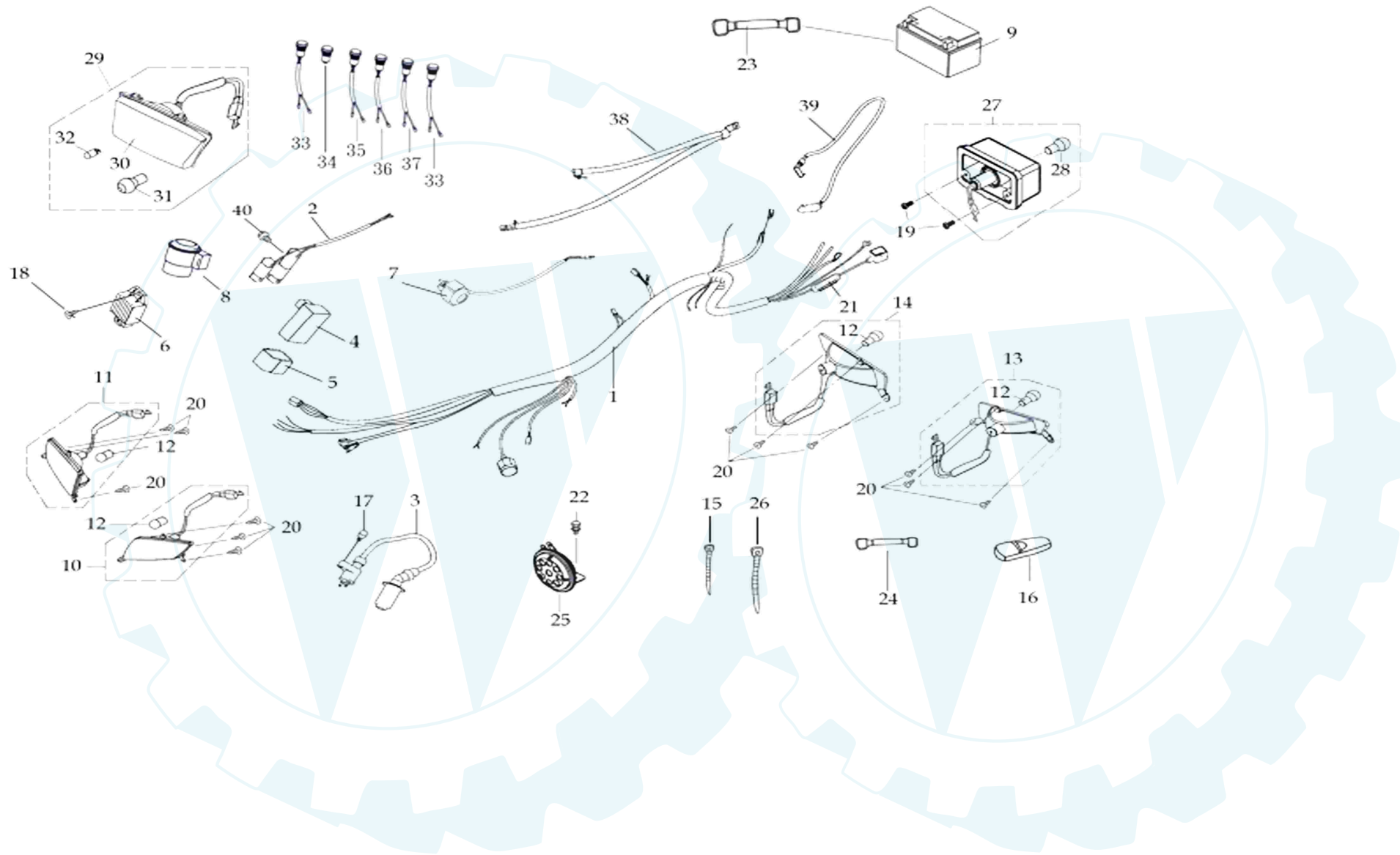


EDITION:01
2004.01.09

F11. WIRE HARNESS(E-mark)

Model	Ref no	Part no	Description	Specification	Quantity	Note
	11-01	F040109	MAIN WIRE ASSEMBLY		1	
	11-02	A190006	RESISTOR ASSEMBLY		1	
	11-03	A190004	IGNITION COIL ASSEMBLY		1	
	11-04	A190001	C.D.I. UNIT ASSEMBLY		1	
	11-05	F020431	BAND,C.D.I. UNIT		1	
	11-06	A190003	RECTIFIER & REGULATOR		1	
	11-07	A190002	STARTER RELAY ASSEMBLY		1	
	11-08	F020279	FLASH		1	
	11-09	F020042	BATTERY	YTX7A-BS	1	
	11-10	F040084	FRONT TURNING SIGNAL ASSEMBLY (L)		1	
	11-11	F040085	FRONT TURNING SIGNAL ASSEMBLY (R)		1	
	11-12	F020244	BLUB		4	
	11-13	F040086	TAIL TURNING SIGNAL ASSEMBLY (L)		1	
	11-14	F040087	TAIL TURNING SIGNAL ASSEMBLY (R)		1	
	11-15	F040032	STRAP	L=140mm	8	
	11-16	F020189	TOOL KIT		1	
	11-17	A050144	HEX WASHER FACE BOLT	M5X0.8X20L	1	
	11-18	A050024	HEX WASHER FACE BOLT	M6X1.0X16L	1	
	11-19	A050031	SLOTTED HEAD SCREWS	M5X0.8X16L	4	
	11-20	A130002	TAPPING SCREW	4X12L	12	
	11-21	F020458	FUSE	8A	1	
	11-22	A050023	HEX BOLT	M6X1.0X16L	1	
	11-23	F030040	RUBBER BAND (BATTERY)		1	
	11-24	F030041	RUBBER BAND (TOOL KIT)		1	
	11-25	F030048	HORN		1	
	11-26	F020188	STRAP	L=177mm	26	
	11-27	F040089	TAIL LIGHT ASSEMBLY		1	
	11-28	F040098	HEAD LIGHT ASSEMBLY	12V-21/5W	1	
	11-29	F040083	HEAD LIGHT		1	

F11. WIRE HARNESS(E-mark)

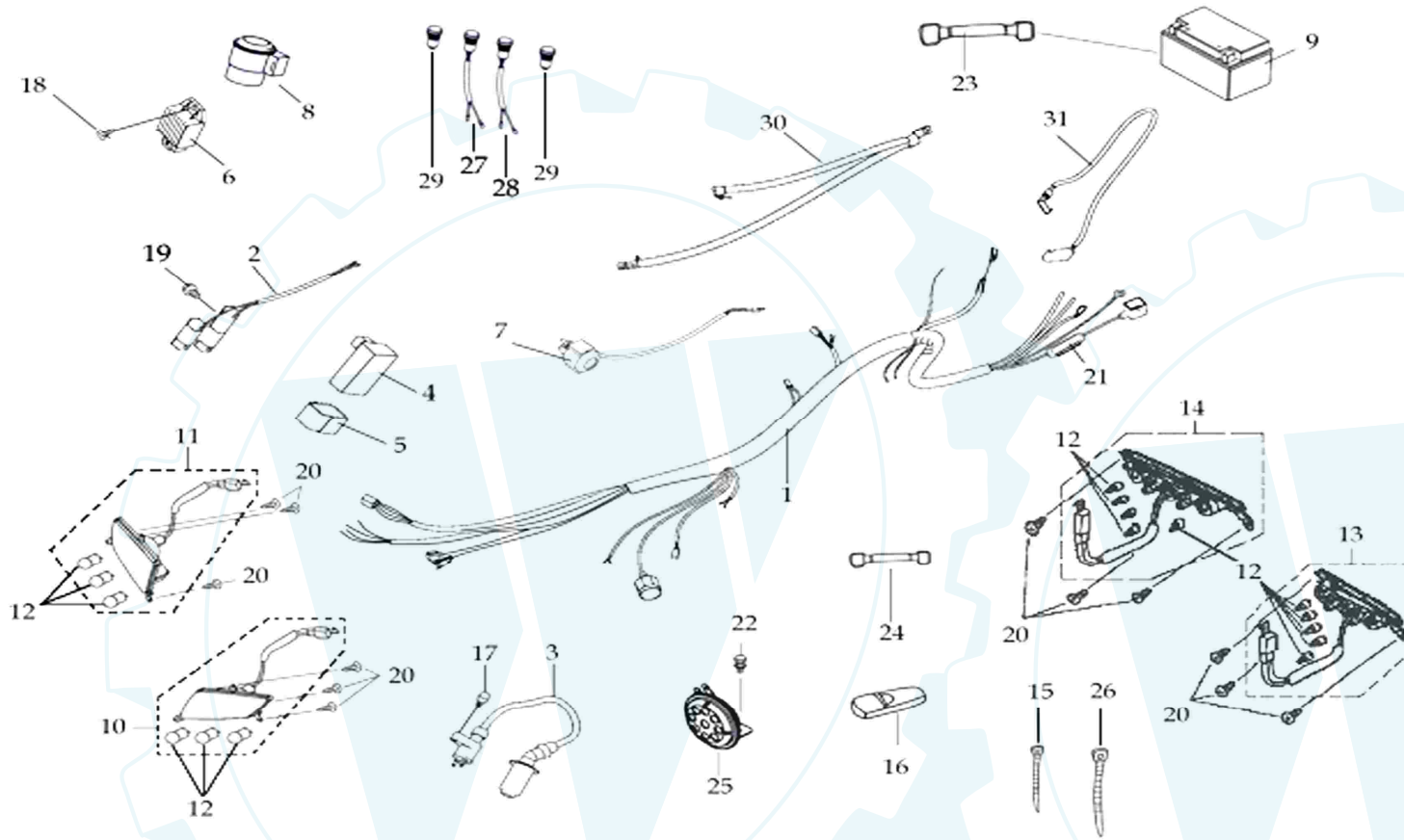


EDITION:01
2004.01.09

F11. WIRE HARNESS(E-mark)

Model	Ref no	Part no	Description	Specification	Quantity	Note
	11-30	F040099	FONT LIGHT		1	
	11-31	F040100	BLUB	12V-35 / 35W	1	
	11-32	F040101	BLUB	12V / 5W	1	
	11-33	A180008	INDICATION LIGHT(R&L)	L=345mm	2	
	11-34	A180013	PLUG		1	
	11-35	A180004	LIGHT (N)	L=345mm	1	
	11-36	A180002	LIGHT (R)	L=345mm	1	
	11-37	A180010	INDICATION LIGHT FOR HEADLIGHT	L=345mm	1	
	11-38	F040111	LINE,ANODE		1	
	11-39	F040110	LINE,NEGATIVE		1	
	11-40	A050081	HEX WASHER FACE BOLT	M6X1.0X10L	1	

F11. WIRE HARNESS(Non e-mark)

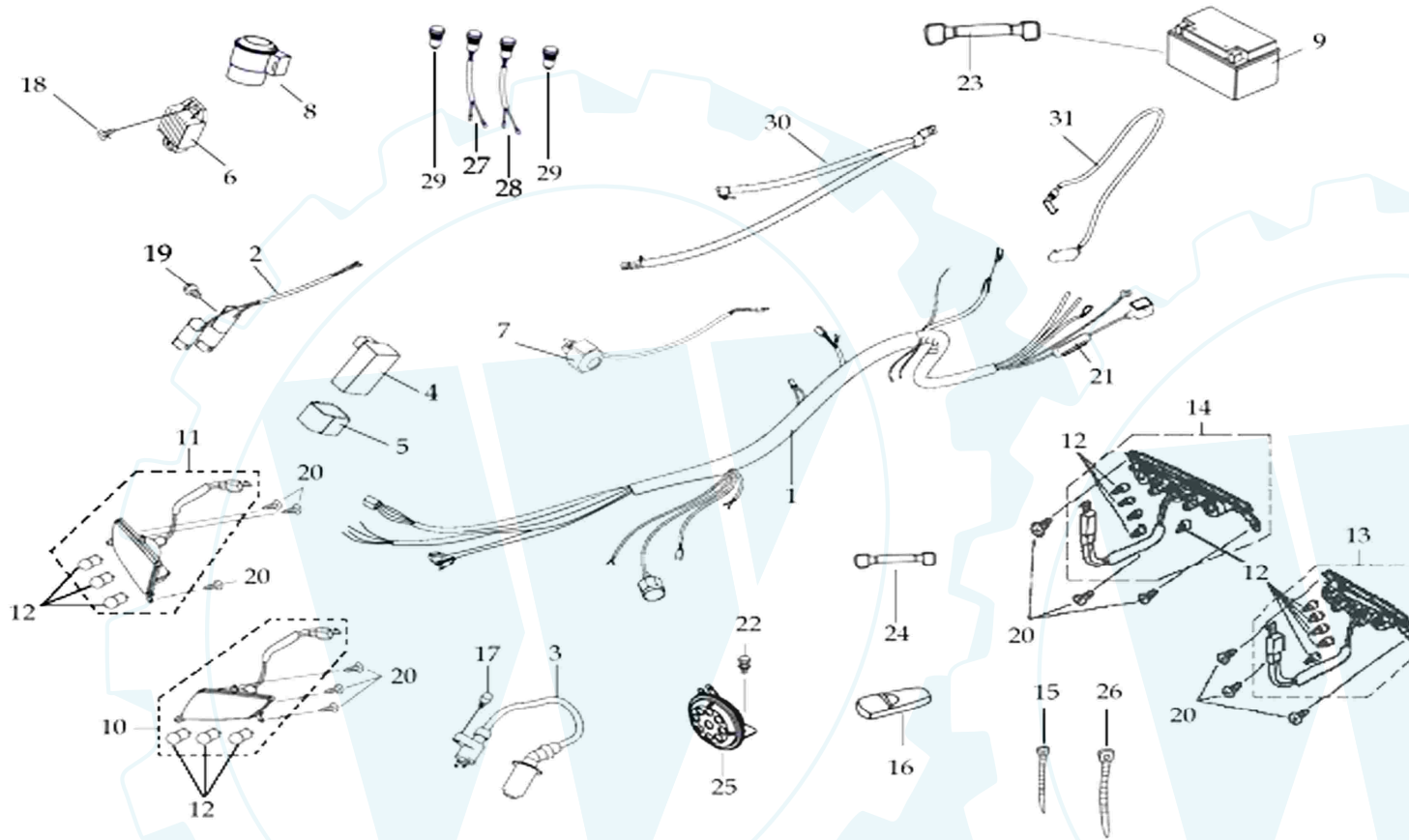


EDITION:01
2004.01.09

F11. WIRE HARNESS(Non e-mark)

Model	Ref no	Part no	Description	Specification	Quantity	Note
	11-01	F040112	MAIN WIRE ASSEMBLY		1	
	11-02	A190006	RESISTOR ASSEMBLY		1	
	11-03	A190004	IGNITION COIL ASSEMBLY		1	
	11-04	A190001	C.D.I. UNIT ASSEMBLY		1	
	11-05	F020431	BAND,C.D.I. UNIT		1	
	11-06	A190003	RECTIFIER & REGULATOR		1	
	11-07	A190002	STARTER RELAY ASSEMBLY		1	
	11-08	F020279	FLASH		1	
	11-09	F020042	BATTERY	YTX7A-BS	1	
	11-10	F040066	FRONT TURNING SIGNAL ASSEMBLY (L)		1	
	11-11	F040067	FRONT TURNING SIGNAL ASSEMBLY (R)		1	
	11-12	F020245	TAIL LIGHT BULB	5W	16	
	11-13	F040027	TAIL TURNING SIGNAL ASSEMBLY (L)		1	
	11-14	F040028	TAIL TURNING SIGNAL ASSEMBLY (R)		1	
	11-15	F040032	STRAP	L=140mm	8	
	11-16	F020189	TOOL KIT		1	
	11-17	A050144	HEX WASHER FACE BOLT	M5X0.8X20L	1	
	11-18	A050024	HEX WASHER FACE BOLT	M6X1.0X16L	1	
	11-19	A050081	HEX WASHER FACE BOLT	M6X1.0X10L	1	
	11-20	A130002	TAPPING SCREW	4X12L	12	
	11-21	F020458	FUSE	8A	1	
	11-22	A050023	HEX BOLT	M6X1.0X16L	1	
	11-23	F030040	RUBBER BAND (BATTERY)		1	
	11-24	F030041	RUBBER BAND (TOOL KIT)		1	
	11-25	F030048	HORN		1	
	11-26	F020188	STRAP	L=177mm	26	
	11-27	A180004	LIGHT (N)	L=345mm	1	
	11-28	A180002	LIGHT (R)	L=345mm	1	
	11-29	A180013	PLUG		2	

F11. WIRE HARNESS(Non e-mark)



EDITION:01
2004.01.09

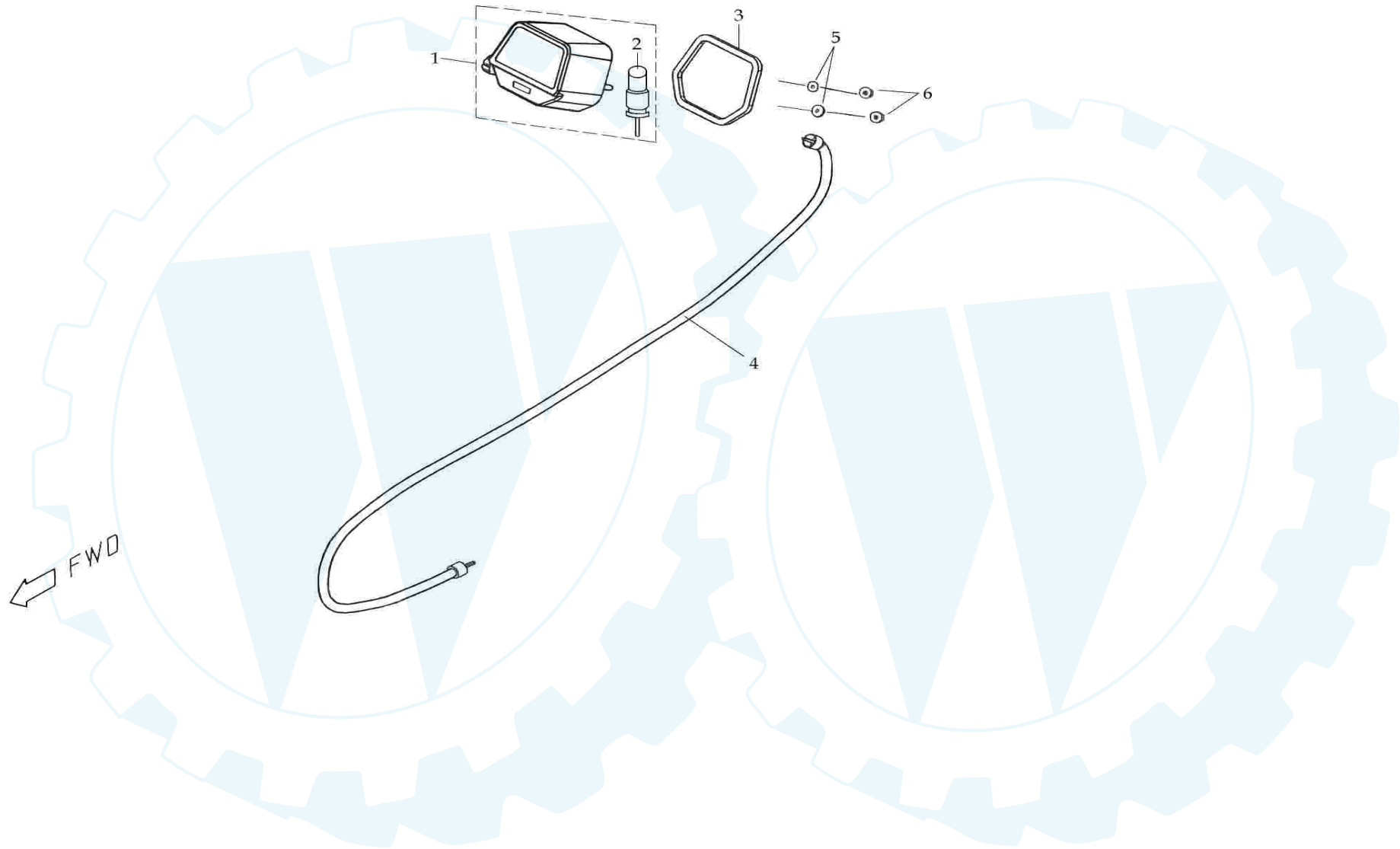
F11. WIRE HARNESS(Non e-mark)

Model	Ref no	Part no	Description	Specification	Quantity	Note
	11-30	F040111	LINE,ANODE		1	
	11-31	F040110	LINE,NEGATIVE		1	



EDITION:01
2004.01.09

F12. SPEEDOMETER



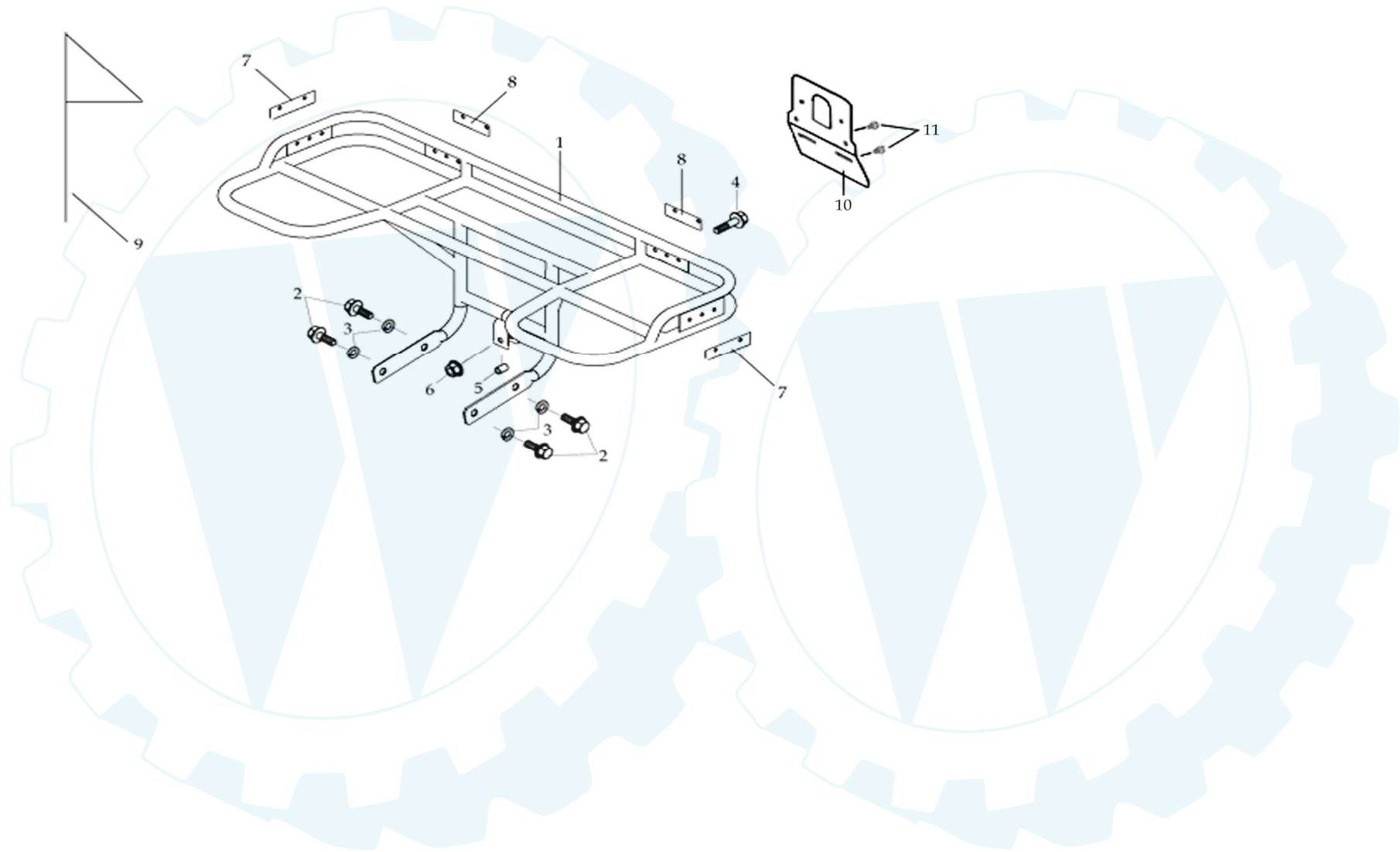
EDITION:01
2004.01.09

F12. SPEEDOMETER

Model	Ref no	Part no	Description	Specification	Quantity	Note
	12-01	F020235	SPEEDOMETER		1	
	12-02	F020239	BULB		1	
	12-03	F020231	SPEEDOMETER RUBBER		1	
	12-04	F020236	SPEEDOMETER CABLE		1	
	12-05	A080044	PLAIN WASHER	Ø5.6XØ11.3X2t	2	
	12-06	A060023	HEX FLANGE NUT	M5X0.8	2	

EDITION:01
2004.01.09

F13. RACK

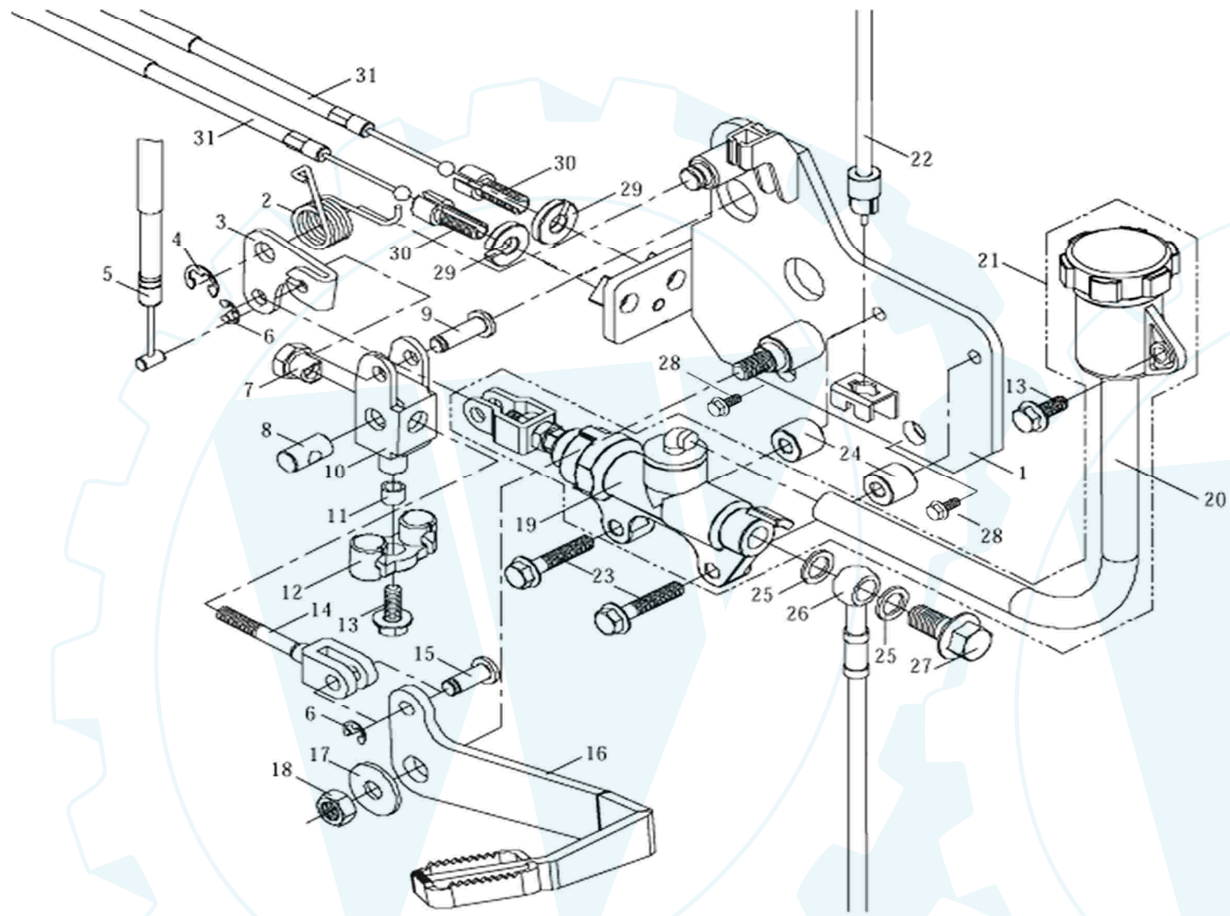


EDITION:01
2004.01.09

F13. RACK

Model	Ref no	Part no	Description	Specification	Quantity	Note
	13-01	F040029	RACK		1	
	13-02	A050058	HEX WASHER FACE BOLT	M10X1.5X15L	4	
	13-03	A080009	SPRING WASHER	Ø10.2X3.7X2.5t	4	
	13-04	A050014	HEX WASHER FACE BOLT	M8X1.25X40L	1	
	13-05	F040031	SPACER	Ø8.5XØ15X22.5L	1	
	13-06	A060014	INSERT LOCK NUT	M8X1.25	1	
	13-07	F020266	SIDE REFLECTOR		2	
	13-08	F020265	BACK REFLECTOR		2	
	13-09	F020288	FLAG	133 cm	1	optional
	13-10	F040077	LAMP HOLDER,BRAKES		1	E-mark only
	13-11	A050081	HEX WASHER FACE BOLT	M6X1.0X10L	2	E-mark only

F14. FOOT BRAKE SYSTEM (E-mark)



EDITION:01
2004.01.09

F14. FOOT BRAKE SYSTEM (E-mark)

Model	Ref no	Part no	Description	Specification	Quantity	Note
	14-01	F020385	CONTROL BASE,FOOT BRAKE		1	
	14-02	A110021	TORSION SPRING		1	
	14-03	F020374	HAND BRAKE LEVER ROD		1	
	14-04	A100017	E CLIP	Ø8	1	
	14-05	F020391	HAND BRAKE CABLE		1	
	14-06	A100016	E CLIP	Ø5	2	
	14-07	A060036	BRAKE ADJUST NUT		1	
	14-08	F020377	PIN		1	
	14-09	A070020	HEAD PIN	Ø7×20L	1	
	14-10	F020375	BALANCE ROD		1	
	14-11	F020381	BUSH		1	
	14-12	F020382	BRAKE BALANCE ROD		1	
	14-13	A050024	HEX NUT	M6X1.0X16L	2	
	14-14	F020373	BRAKE TIE ROD		1	
	14-15	A070021	HEAD PIN	Ø7×15L	1	
	14-16	F040106	FOOT BRAKE PEDAL		1	
	14-17	A080059	PLAIN WASHER	Ø8.4×Ø24×2t	1	
	14-18	A060014	INSERT LOCK NUT	M8×1.25	1	
	14-19	F020428	FOOT BRAKE PUMP		1	
	14-20	F020429	TUBE,FOOT BRAKE PUMP		1	
	14-21	F020389	FOOT BRAKE PUMP ASSEMBLY		1	
	14-22	F070020	REAR BRAKE SENSOR		1	
	14-23	A050134	HEX NUT	M6×1.0×32L	2	
	14-24	F020378	COLLAR		2	
	14-25	A080011	PLAIN WASHER	Ø10.3×Ø15×1.5t	2	

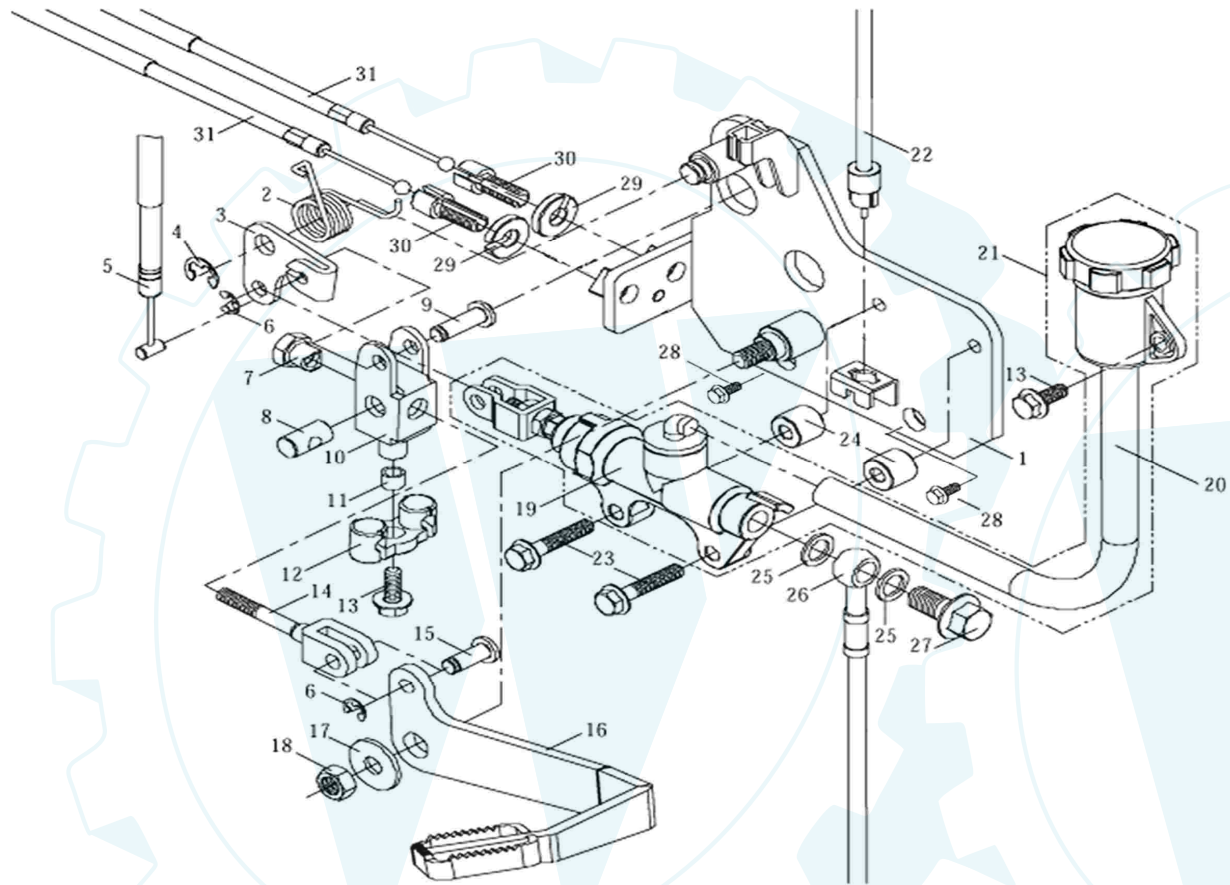
EDITION:01
2004.01.09



EDITION:01
2004.01.09



F14. FOOT BRAKE SYSTEM (E-mark)



EDITION:01
2004.01.09

F14. FOOT BRAKE SYSTEM (E-mark)

Model	Ref no	Part no	Description	Specification	Quantity	Note
	14-27	A050009	BOLT, FLANGE SCREW	M10×1.5×22L	1	
	14-28	A050021	BOLT, FLANGE SCREW	M10×1.5×20L	2	
	14-29	A060037	ADJUSTING NUT		2	
	14-30	A050133	ADJUSTING SCREW		2	
	14-31	F020393	DRUM BRAKE CABLE		2	

EDITION:01
2004.01.09